

design L+R PALOMBA

1997

5059222 Mini Twin 30

Countertop basin cm 27

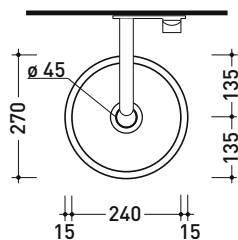
• WITHOUT OVERFLOW • WITHOUT TAP LEDGE

Complements: Line accessories: TWO - HOOP - NOKÈ - FOLD

Technical accessories: Chrome siphon (SIFL/CR) - Telescopic chrome siphon (SIFL066)
 Stop & Go drain (PLSG)
 Ceramic Stop&Go drain (PLCE)
 Chrome waste with automatic integrated overflow (PLTPCR)
 Waste with automatic integrated overflow and ceramic cover (PLTPCE)
 Two piece set chrome tap filters (RF026)

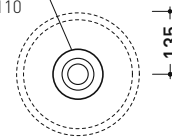
Package dim. 25 x 15 x 33,5 cm | Weight 4,4 kg | Pz. Pallet n° 54

UNI EN 14688 - CL00 Dop-No14688

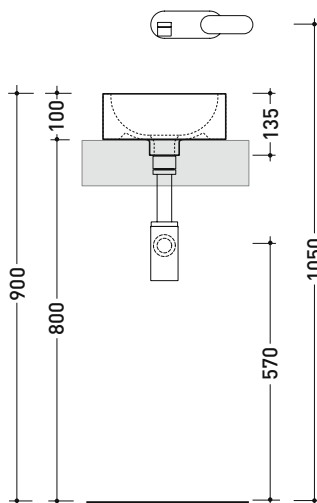


vista zenitale / zenital view

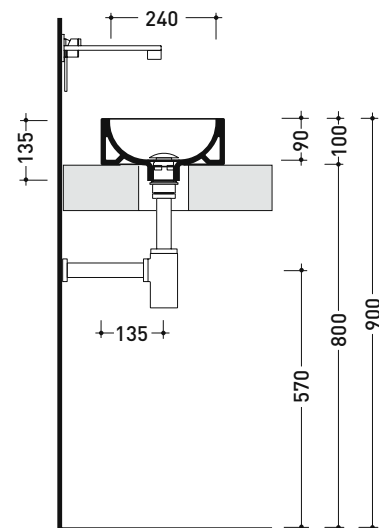
foro consigliato sul piano ø 110
 suggested hole on the top ø 110



vista zenitale / zenital view



vista frontale / frontal view



sezione longitudinale / section

sizes in mm

CERAMIC: glossy finish



white

<http://www.ceramicaflaminia.it/en/products/322-twin>

©ceramicaflaminiaspa - All rights reserved. Unauthorized copying, publication, reproduction as well as partial reproduction are prohibited

february 2022

