

MN117

Back to wall wc with S/P trap (drainage connector for floor trap art. TR/CON and floor fixing kit art. 9003 included)

Complements: **Soft-closing thermosetting wrapping seat&cover (MNCW03)**
Line accessories: TWO - HOOP - NOKE - FOLD

Package dim. 53 x 35,5 x 43 cm | Weight 31,5 kg | Pz. Pallet n° 15

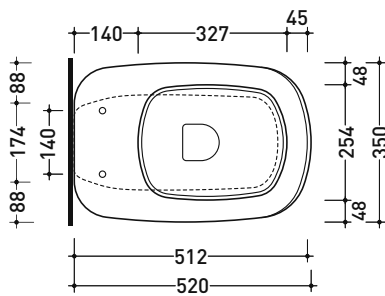
UNI EN 997

Dop-No997

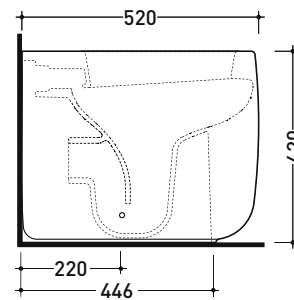
WHILE STOCKS LAST



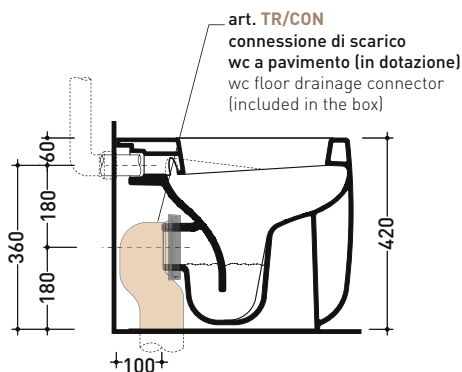
FLAMINIA does not recommend combining this toilet model with rapid-flow/flushometer systems or traditional high tanks



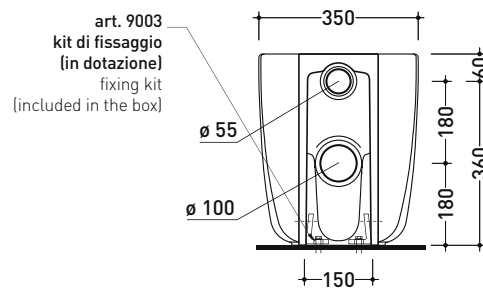
vista zenitale / zenital view



vista laterale / lateral view



sezione longitudinale / section



vista retro / back view

sizes in mm

CERAMIC: glossy finish



white

Please consider a 2% tolerance on indicated measurements