

VL66L Volo 66

Countertop - wall hung basin 66 cm

• WITH OVERFLOW • ARRANGED FOR THREE HOLES TAP

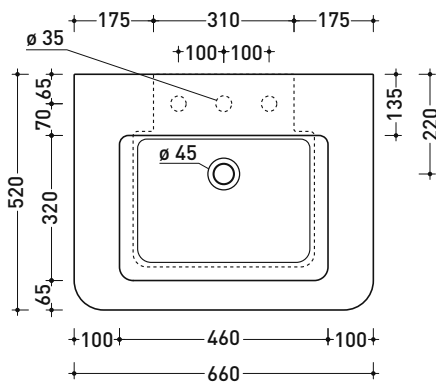
Complements: **VOLO metal structure (VL66M)**
FORTY6 shelf (F6VL66)
BOX wall hung vanity units depth 50 cm
CUBIKA wall hung vanity units depth 50 cm
DENVER furniture (DV103M)
 Line taps basin: ONE - NOKÉ - SI - FOLD - X1
 Line accessories: TWO - HOOP - NOKÉ - FOLD

Technical accessories: **Chrome siphon (SIFL/CR) - Telescopic chrome siphon (SIFL066)**
Stop & Go drain (PLSG)
CERAMIC Stop & Go drain (PLCE)
Two piece set chrome tap filters (RF026)

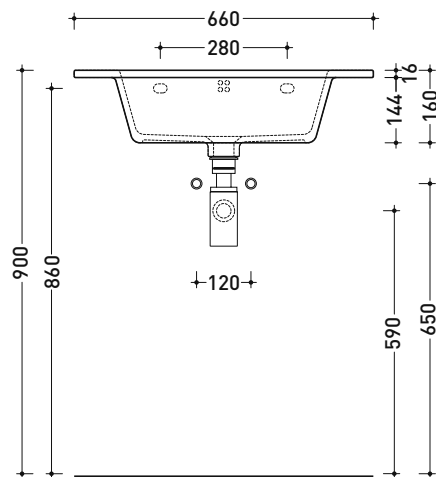
Package dim. 66 x 20 x 53,5 cm | Weight 21 kg | Pz. Pallet n° 12

UNI EN 14688 - CL20 Dop-No14688

COLOURED WHILE STOCKS LAST

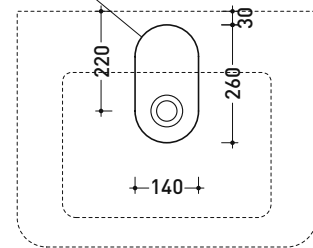


vista zenitale / zenital view

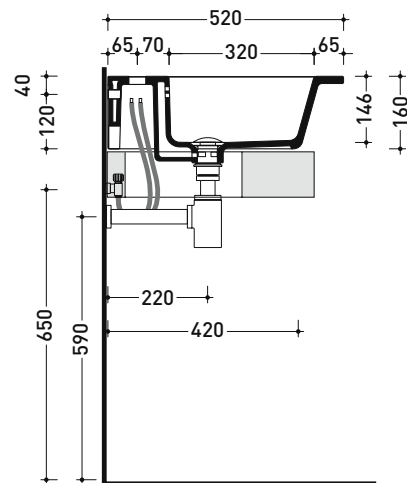


vista frontale / frontal view

foro consigliato sul piano
suggested hole on the top



vista zenitale / zenital view



sezione longitudinale / section

sizes in mm

CERAMIC: glossy finish



white

Please consider a 2% tolerance on indicated measurements