

# One

# → FLAMINIA.

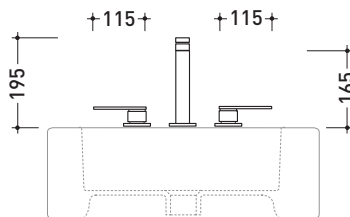
design **LUDOVICA+ROBERTO PALOMBA** and **SERGIO MORI** 2003

## 113056/F

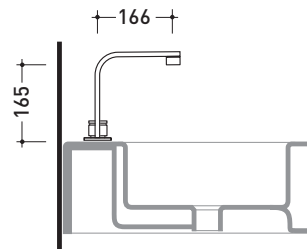
Three-holes tap basin (stop&go drain included)

Complements: **Line accessories: TWO**  
**Line accessories: HOOP**

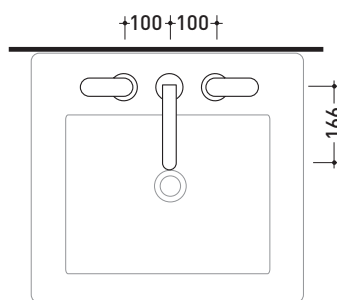
Package dim. **39 x 20 x 11 cm** | Weight **3,5 kg** | Pz. Pallet n° -



vista frontale / frontal view



vista laterale / lateral view



vista zenitale / zenital view

size in mm

january 2014

**BRASS:** glossy finish

Chrome



<http://www.ceramicaflaminia.it/en/products/307-one>

