

design LUDOVICA+ROBERTO PALOMBA

1997

## 5050/42S + TS01/42 Twin Set 42

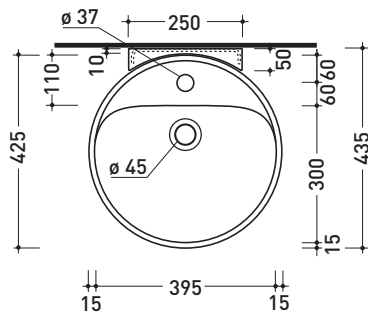
Wall hung basin 42 cm + wall fixing bracket

Complements: **Line taps basin:** ONE - NOKE' - FOLD  
**Line accessories:** TWO - HOOP - NOKE' - FOLD

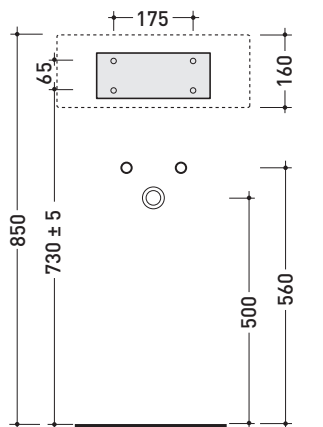
Technical accessories: **Chrome siphon (SIFL/CR) - Telescopic chrome siphon (SIFL066)**  
**Stop & Go drain (PLSG)**  
**Ceramic Stop&Go drain (PLCE)**  
**Two piece set chrome tap filters (RF026)**

Package dim. basin	44 x 20 x 44 cm	Weight 12,3 kg	Pz. Pallet n° 30
--------------------	-----------------	----------------	------------------

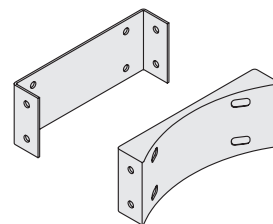
Package dim. bracket	37 x 15 x 8 cm	Weight 2,4 kg	Pz. Pallet n° -
----------------------	----------------	---------------	-----------------



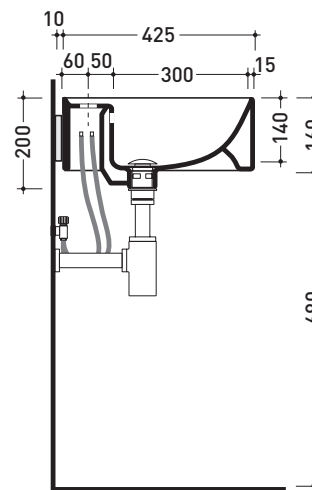
vista zenitale / zenital view



vista frontale fissaggio staffa  
fixing bracket frontal view



staffa di fissaggio  
fixing bracket



vista laterale / lateral view

size in mm

september 2016

CERAMIC: glossy finish

white black



matt finish

milky white graphite antracite lava grey nuvola fango



design LUDOVICA+ROBERTO PALOMBA

1997

## 5050/42S + TS02/42 Twin Set 42

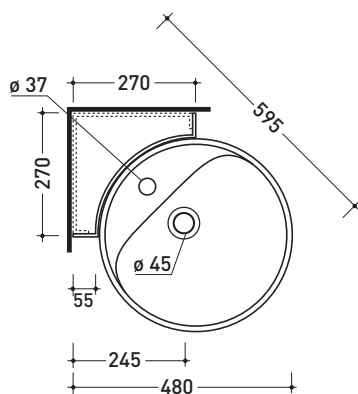
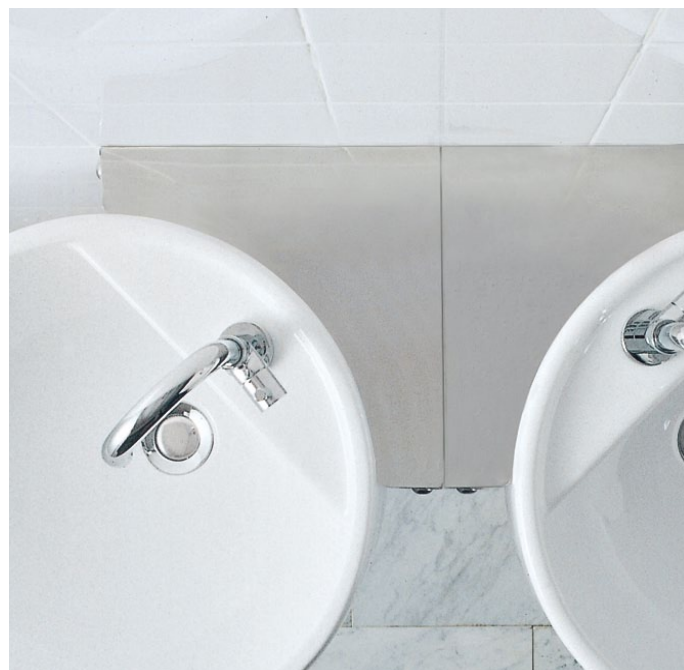
Wall hung basin 42 cm + wall fixing bracket to corner

Complements: **Line taps basin:** ONE - NOKE' - FOLD  
**Line accessories:** TWO - HOOP - NOKE' - FOLD

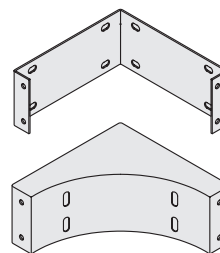
Technical accessories: **Chrome siphon (SIFL/CR) - Telescopic chrome siphon (SIFL066)**  
**Stop & Go drain (PLSG)**  
**Ceramic Stop&Go drain (PLCE)**  
**Two piece set chrome tap filters (RF026)**

Package dim. basin: 44 x 20 x 44 cm | Weight 12,3 kg | Pz. Pallet n° 30

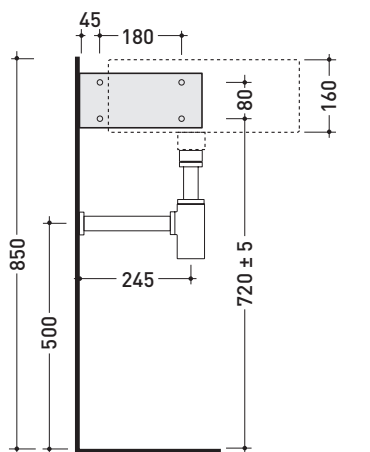
Package dim. bracket: 29 x 29 x 13 cm | Weight 4,4 kg | Pz. Pallet n° -



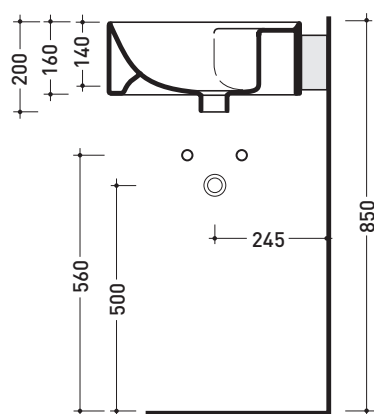
vista zenitale / zenital view



staffa di fissaggio  
fixing bracket



vista frontale fissaggio staffa  
fixing bracket frontal view



sezione longitudinale / section

size in mm

september 2016

CERAMIC: glossy finish

white black



matt finish

milky white graphite antracite lava grey nuvola fango

