

design L+R PALOMBA

1997

5050/S + TS01/52 Twin Set 52

Wall hung single-hole basin 52 cm + wall fixing bracket

• WITH OVERFLOW • WITH TAP LEDGE

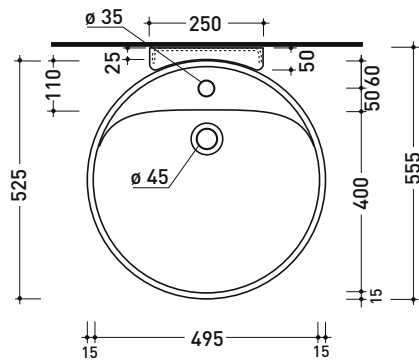
Complements: **Line taps basin:** ONE - NOKÈ - FOLD - X1
Line accessories: TWO - HOOP - NOKÈ - FOLD

Technical accessories: **Chrome siphon (SIFL/CR) - Telescopic chrome siphon (SIFL066)**
Stop & Go drain (PLSG)
Ceramic Stop&Go drain (PLCE)
Two piece set chrome tap filters (RF026)

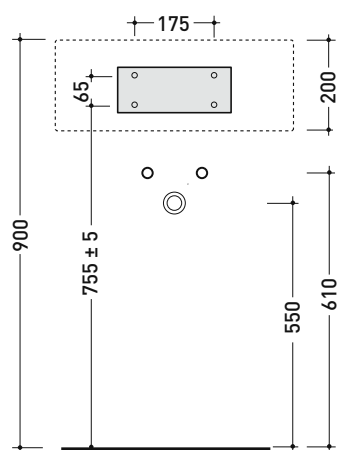
Package dim. basin 55 x 22,5 x 55 cm | Weight 19,5 kg | Pz. Palet n° 18

Package dim. bracket 38 x 15 x 8 cm | Weight 2,4 kg | Pz. Palet n° -

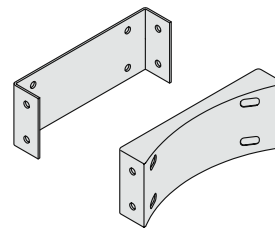
UNI EN 14688 - CL20 Dop-No14688



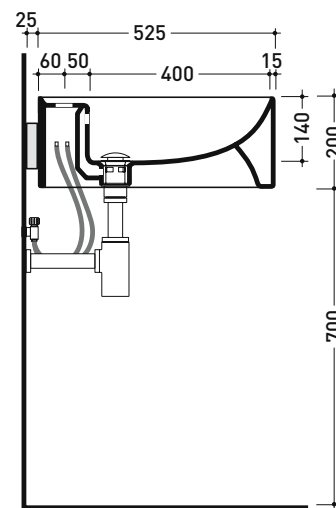
vista zenitale / zenital view



vista frontale fissaggio staffa
fixing bracket frontal view



staffa di fissaggio
fixing bracket



sezione longitudinale / section

sizes in mm

CERAMIC: glossy finish



white

Please consider a 2% tolerance on indicated measurements

design L+R PALOMBA

1997

5050/S + TS02/52 Twin Set 52

Wall hung single-hole basin 52 cm + corner bracket for wall fixing

• WITH OVERFLOW • WITH TAP LEDGE

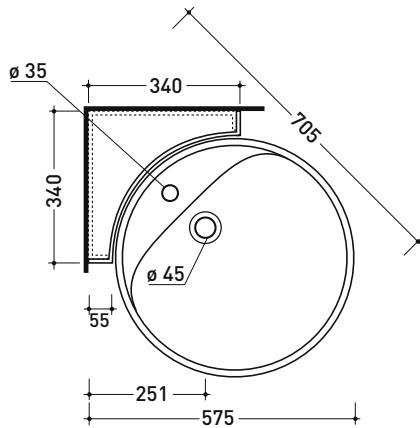
Complements: **Line taps basin:** ONE - NOKÈ - FOLD - X1
Line accessories: TWO - HOOP - NOKÈ - FOLD

Technical accessories: **Chrome siphon (SIFL/CR) - Telescopic chrome siphon (SIFL066)**
Stop & Go drain (PLSG)
Ceramic Stop&Go drain (PLCE)
Two piece set chrome tap filters (RF026)

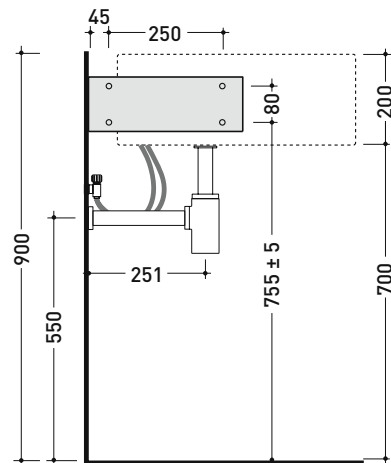
Package dim. basin	55 x 22,5 x 55 cm	Weight 19,5 kg	Pz. Pallet n° 18
--------------------	-------------------	----------------	------------------

Package dim. bracket	35 x 34 x 14 cm	Weight 5,5 kg	Pz. Pallet n° -
----------------------	-----------------	---------------	-----------------

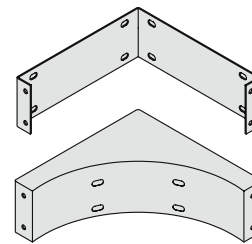
CE UNI EN 14688 - CL20 Dop-No14688



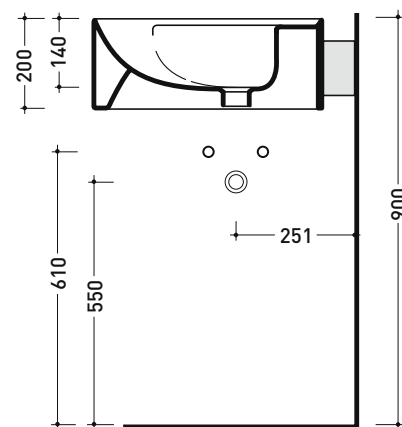
vista zenitale / zenital view



vista frontale fissaggio staffa
fixing bracket frontal view



staffa di fissaggio
fixing bracket



vista laterale
lateral view

sizes in mm

CERAMIC: glossy finish



white

Please consider a 2% tolerance on indicated measurements