

design L+R PALOMBA

1997

## 5054 Twin Set 52

Semi-inset single-hole basin 52 cm

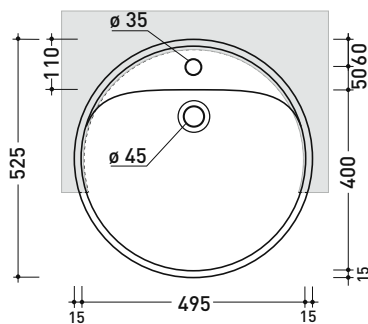
• WITH OVERFLOW • WITH TAP LEDGE

Complements: **Forty6 shelf (F65054)**  
**Line taps basin: ONE - NOKÈ - FOLD - X1**  
**Line accessories: TWO - HOOP - NOKÈ - FOLD**

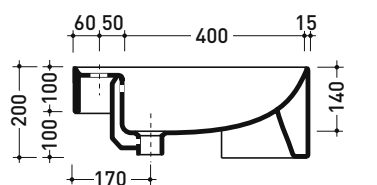
Technical accessories: **Chrome siphon (SIFL/CR) - Telescopic chrome siphon (SIFL066)**  
**Stop & Go drain (PLSG)**  
**Ceramic Stop&Go drain (PLCE)**  
**Two piece set chrome tap filters (RF026 - RF027)**

Package dim. 55 x 22,5 x 55 cm | Weight 18,5 kg | Pz. Pallet n° 18

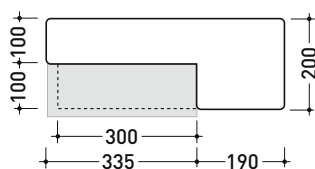
UNI EN 14688 - CL20 Dop-No14688



vista zenitale / zenital view

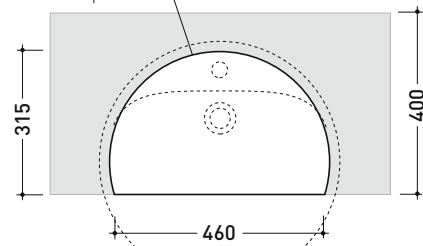


sezione longitudinale / section



vista laterale / lateral view

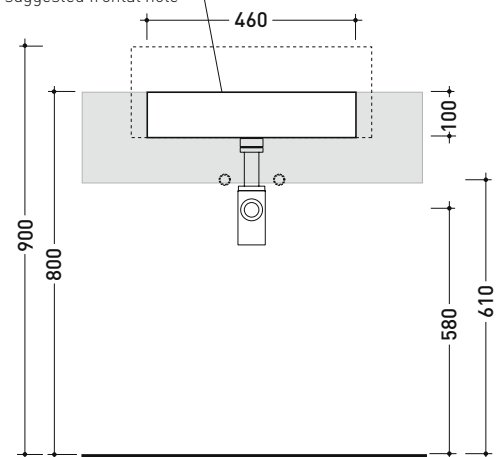
\* foro consigliato sul piano  $\varnothing$  485  
 suggested hole on the top  $\varnothing$  485



\* è obbligatorio utilizzare dima di taglio  
 is compulsory use cutting template

vista zenitale / zenital view

\* foro consigliato sul fronte  
 suggested frontal hole



vista frontale / frontal view

sizes in mm

CERAMIC: glossy finish



white

Please consider a 2% tolerance on indicated measurements