

design **LUDOVICA+ROBERTO PALOMBA**

1997

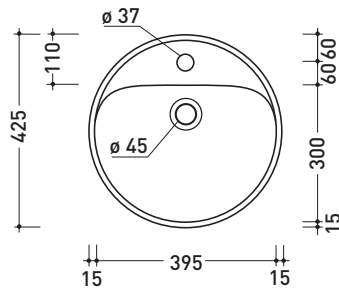
5055/42 Twin Set 42

Recessed basin 42 cm with tap ledge

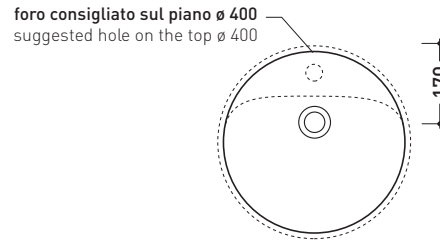
Complements: **Line taps basin:** ONE - NOKE' - FOLD
Line accessories: TWO - HOOP - NOKE' - FOLD

Technical accessories: **Chrome siphon (SIFL/CR)** - **Telescopic chrome siphon (SIFL066)**
Stop & Go drain (PLSG)
Ceramic Stop&Go drain (PLCE)
Two piece set chrome tap filters (RF026)

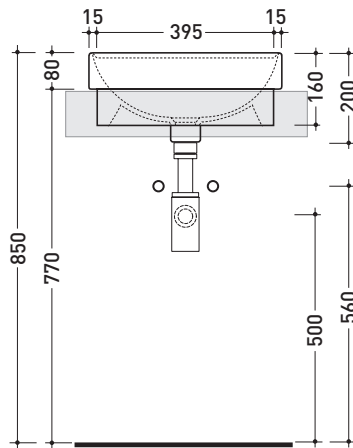
Package dim. **44 x 20 x 44 cm** | Weight **12,9 kg** | Pz. Pallet n° **30**



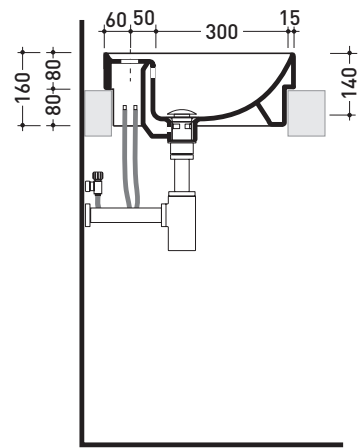
vista zenitale / zenital view



vista zenitale / zenital view



vista frontale / frontal view



sezione longitudinale / section

size in mm

september 2016

CERAMIC: glossy finish

white black



matt finish

milky white graphite antracite lava grey nuvola fango

