

design **LUDOVICA+ROBERTO PALOMBA**

**1997**

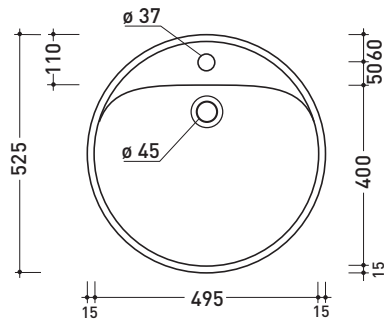
## 5055 Twin Set 52

Recessed basin 52 cm with tap ledge

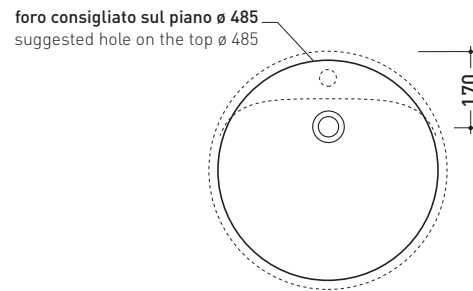
Complements: **Line taps basin:** ONE - NOKE' - FOLD  
**Line accessories:** TWO - HOOP - NOKE' - FOLD

Technical accessories: **Chrome siphon (SIFL/CR) - Telescopic chrome siphon (SIFL066)**  
**Stop & Go drain (PLSG)**  
**Ceramic Stop&Go drain (PLCE)**  
**Two piece set chrome tap filters (RF026)**

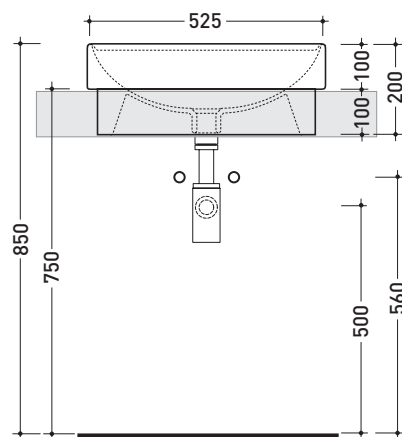
Package dim. **55 x 22,5 x 55 cm** | Weight **19 kg** | Pz. Pallet n° **18**



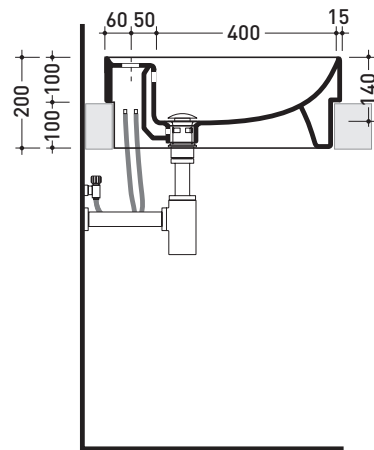
vista zenitale / zenital view



vista zenitale / zenital view



vista frontale / frontal view



sezione longitudinale / section

size in mm

september 2016

**CERAMIC:** glossy finish

white      black



matt finish

milky white      graphite      antracite      lava grey      nuvola      fango

