

design LUDOVICA+ROBERTO PALOMBA

1997

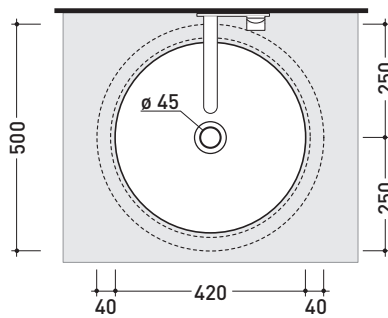
5057 Twin Set 42

Under-counter basin 42 cm

Complements: **Line taps basin:** ONE - NOKE' - FOLD
Line accessories: TWO - HOOP - NOKE' - FOLD

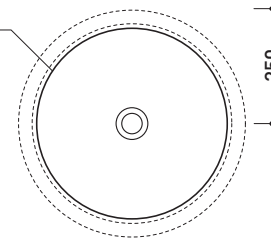
Technical accessories: **Chrome siphon (SIFL/CR) - Telescopic chrome siphon (SIFL066)**
Stop & Go drain (PLSG)
Ceramic Stop&Go drain (PLCE)
Two piece set chrome tap filters (RF026)

Package dim. 44 x 20 x 44 cm | Weight 10 kg | Pz. Pallet n° 24

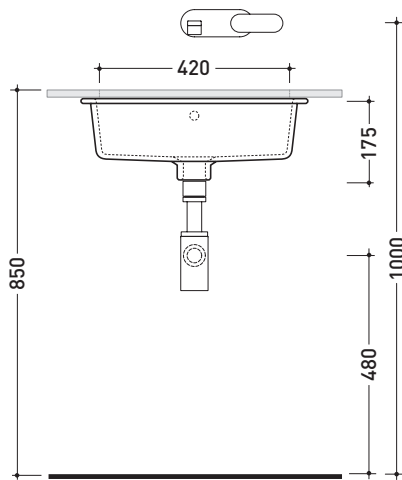


vista zenitale / zenital view

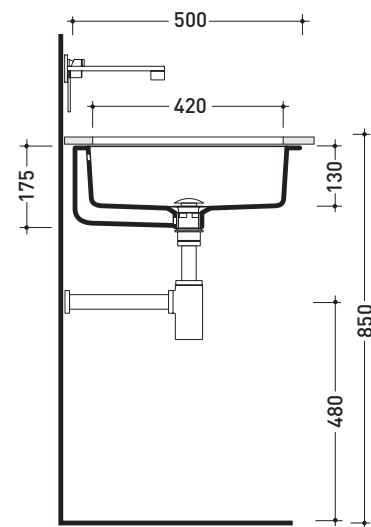
foro consigliato sul piano ø 420
 suggested hole on the top ø 420



vista zenitale / zenital view



vista frontale / frontal view



sezione longitudinale / section

size in mm

september 2016

CERAMIC: glossy finish

white black



matt finish

milky white graphite antracite lava grey nuvola fango

