

ADP

Adjustable pneumatic support suitable for ergonomic basin

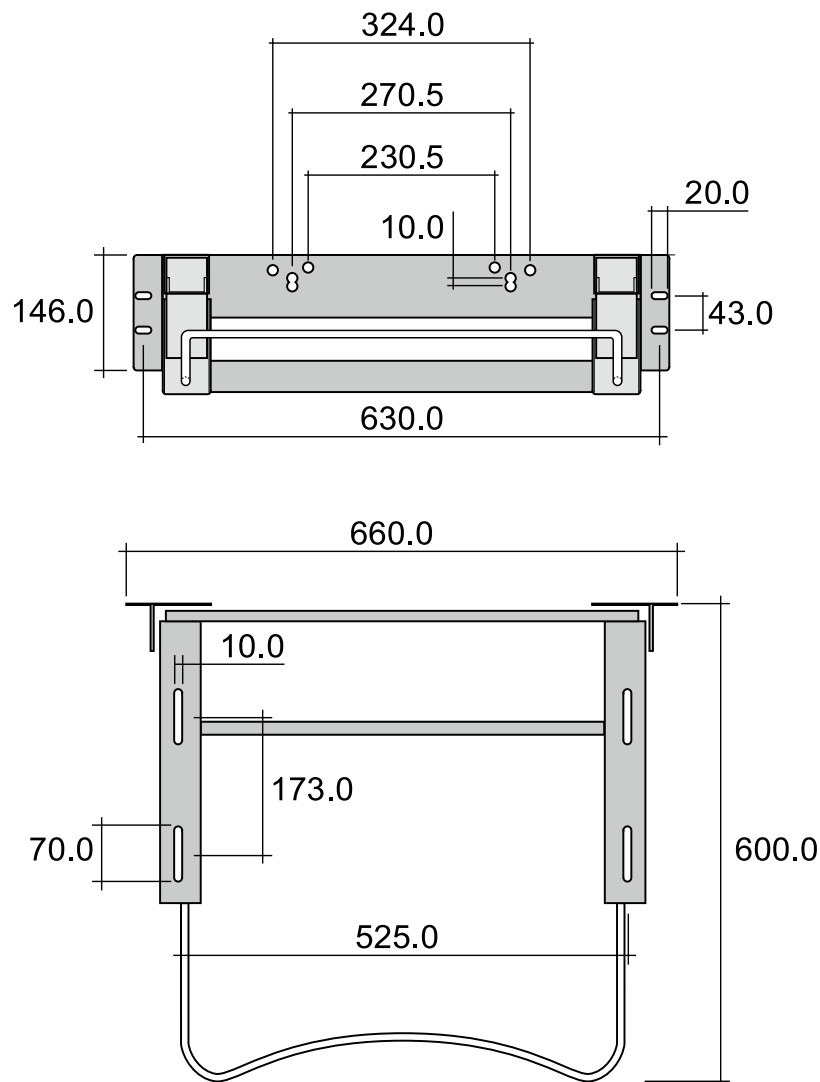
Complements: Ergonomic basin (G1009)



Package dim.

Weight 9 kg

Pz. Pallet n° -



sizes in mm

<http://www.ceramicaflaminia.it/en/downloads>

©ceramicaflaminiaspa - All rights reserved. Unauthorized copying, publication, reproduction as well as partial reproduction are prohibited

april 2022

