

AP6047 AppLight 6047

Countertop - wall hung basin 60x47 cm

• WITH OVERFLOW • ARRANGED FOR THREE TAP HOLES

Complements: **Chromed towel holder (PMW60)**
Line taps basin: ONE - NOKÉ - SI - FOLD - X1
Line accessories: TWO - HOOP - NOKÉ - FOLD

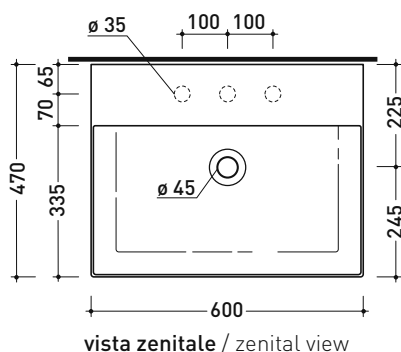
Technical accessories: **Chrome siphon (SIFL/CR) - Telescopic chrome siphon (SIFL066)**
Stop & Go drain (PLSG)
CERAMIC Stop & Go drain (PLCE)
Two piece set chrome tap filters (RF026)

Package dim.

Weight 19 kg

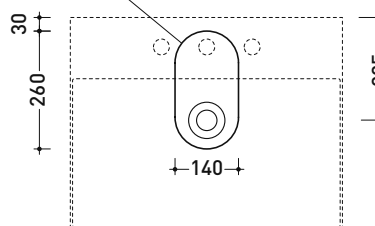
Pz. Pallet n° -

UNI EN 14688 - CL20 Dop-No14688

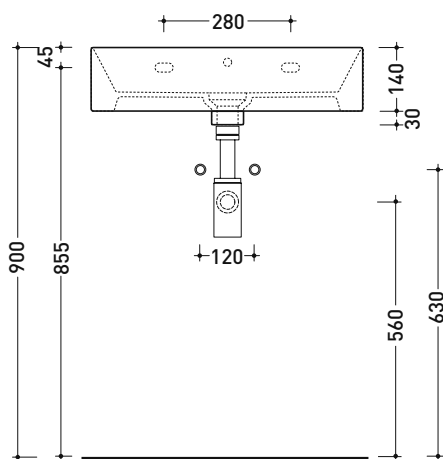


vista zenitale / zenital view

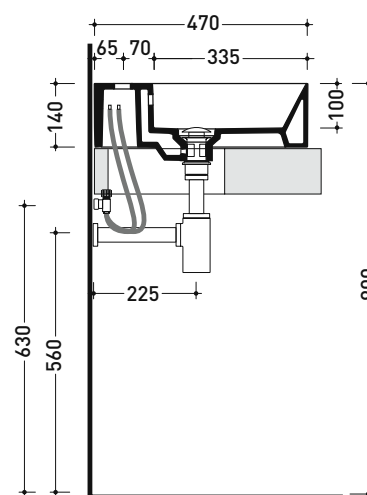
foro consigliato sul piano
suggested hole on the top



vista zenitale / zenital view



vista frontale / frontal view



sezione longitudinale / section

sizes in mm

CERAMIC: glossy finish



white

matt finish



milky white



carbone

Please consider a 2% tolerance on indicated measurements