

design **RODOLFO DORDONI**

2010

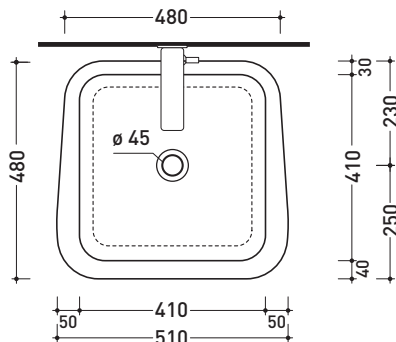
CM51A Como 51

Bench basin 51 cm

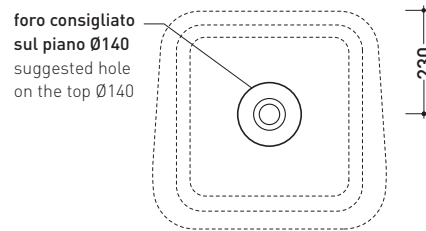
Complements: **Forty6 shelf** (F6CM51A)
Solid shelf (SLCM51A)
Make-Up bench (MKP150 - MKP180)
Compono System bench (CSM90 - CSM135R/L - CSP135R/L - CSP180D)
Line taps basin: ONE - NOKE' - SI - FOLD
Line accessories: TWO - HOOP - NOKE' - FOLD

Technical accessories: **Chrome siphon** (SIFL/CR) - **Telescopic chrome siphon** (SIFL066)
Stop & Go drain (PLSG)
CERAMIC Stop & Go drain (PLCE)
Two piece set chrome tap filters (RF026)

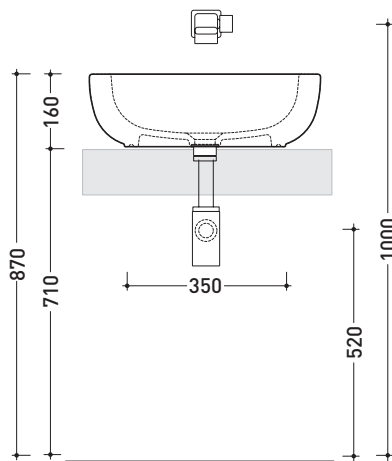
Package dim. **53 x 17,5 x 49 cm** | Weight **18 kg** | Pz. Pallet n° **16**



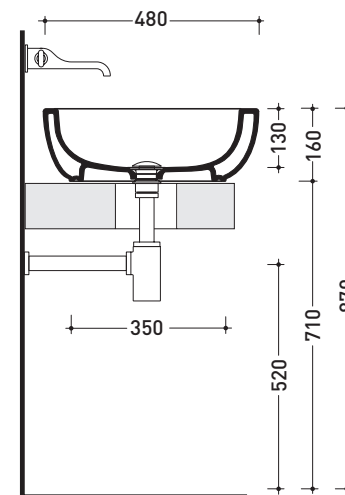
vista zenitale / zenital view



vista zenitale / zenital view



vista frontale / frontal view

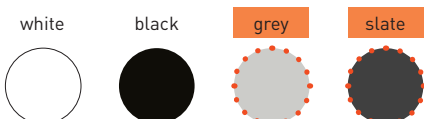


sezione longitudinale / section

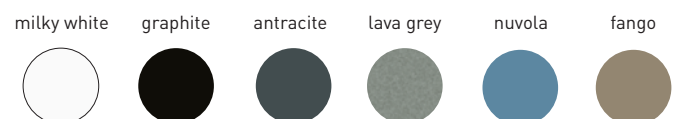
size in mm

april 2016

CERAMIC: glossy finish



matt finish



COLORS IN ELIMINATION