

Water Drop

➔ **FLAMINIA.**

design **LUCA CIMARRA**

2005

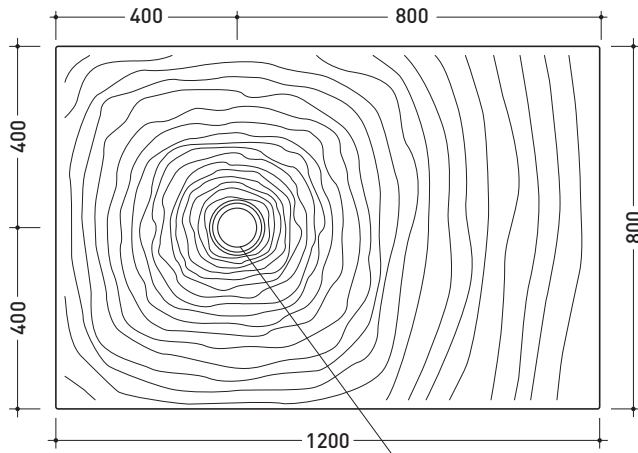
DR120 Water Drop 120

Laid on or built-in in the floor shower tray 120x80 cm
(ø 90mm drainage system not included)

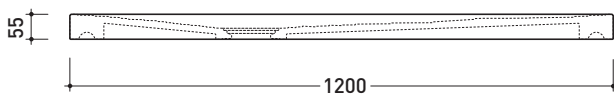
Complements: **BAMB00 composable shower box**
Line taps shower: ONE - NOKE' - SI - FOLD
Line accessories: TWO - HOOP - NOKE' - FOLD

Technical accessories: **drainage system ø 90mm (PLFR)**

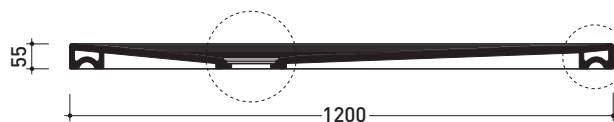
Package dim. **120,5 x 55 x 83 cm** | Weight **50 kg** | Pz. Pallet n° **10**



vista zenitale / zenital view

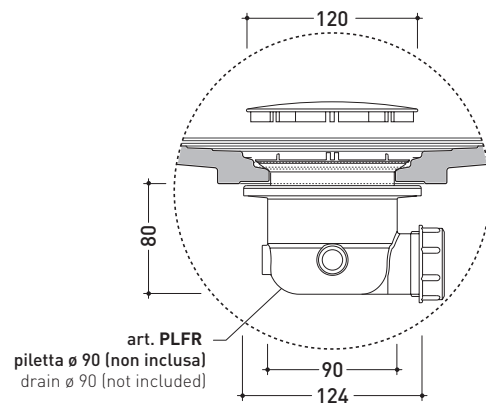


vista frontale / frontal view

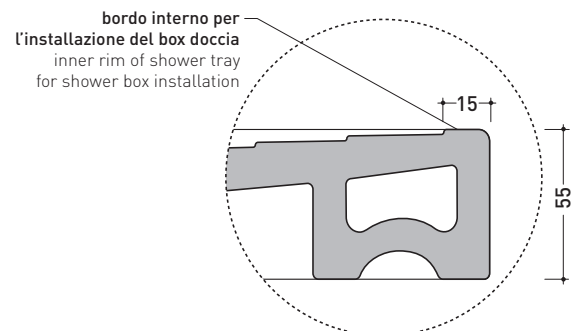


sezione longitudinale / section

PILETTA CONSIGLIATA / SUGGESTED DRAIN



Piletta sifonata / Drainage
Portata / Flow rate: **0,52 l/sec** (EN 274 > 0,4 l/sec)

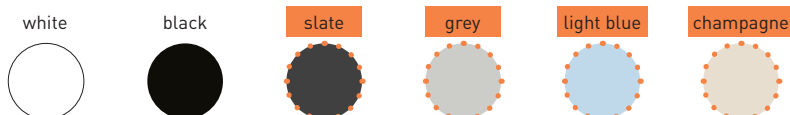


dettaglio del bordo / shower tray rim detail

size in mm

july 2016

CERAMIC: glossy finish



matt finish



COLORS IN ELIMINATION