

# Water Drop

➔ **FLAMINIA.**

design **LUCA CIMARRA**

2016

## DR8016 Water Drop 160x80

Laid on or built-in in the floor shower tray 160x80 cm  
(ø 90mm drainage system not included)

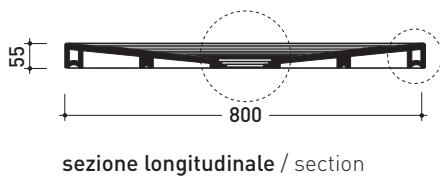
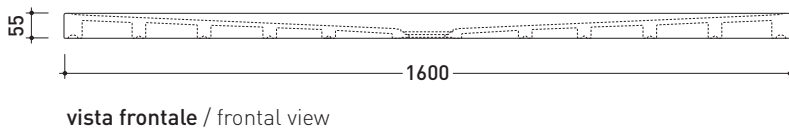
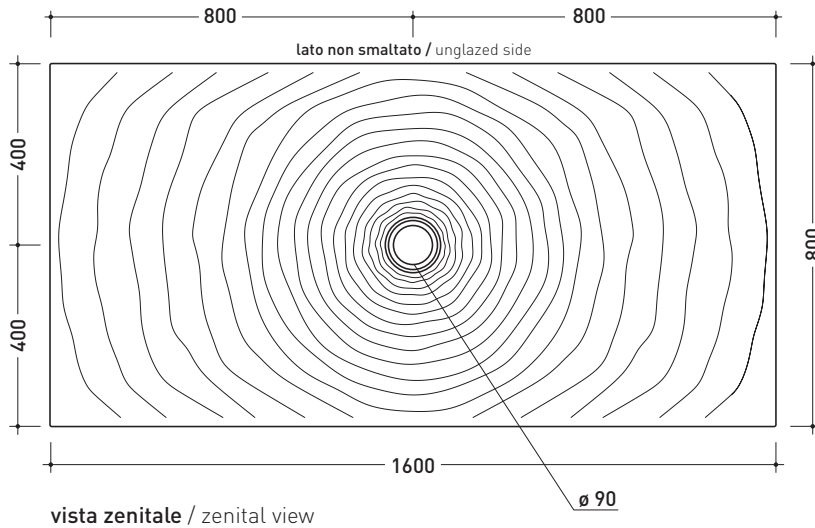
Complements: **BAMB00 composable shower box**  
Line taps shower: **ONE - NOKÉ - SI - FOLD - X1**  
Line accessories: **TWO - HOOP - NOKÉ - FOLD**

Technical accessories: **drainage system with CHROME cover ø 90mm (PLFR)**  
**drainage system with CERAMIC cover ø 90mm (PLFC)**

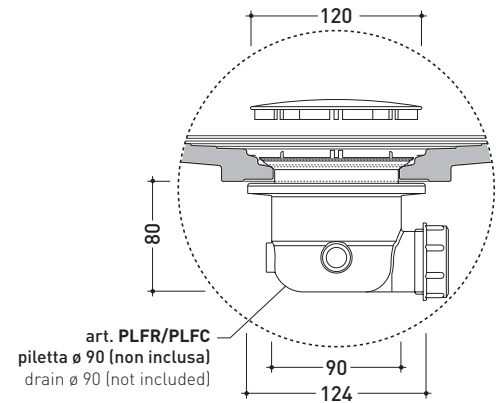
Package dim. | Weight **60,5 kg** | Pz. Pallet n°



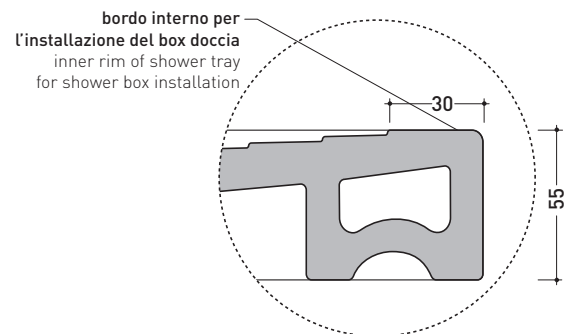
CE UNI EN 14527 Dop-No14527



### PILETTA CONSIGLIATA / SUGGESTED DRAIN



Pilettina sifonata / Drainage  
Portata / Flow rate: **0,52 l/sec** (EN 274 >0,4 l/sec)



sizes in mm

Please consider a 2% tolerance on indicated measurements

CERAMIC: glossy finish



matt finish



<http://www.ceramicaflaminia.it/en/products/329-water-drop>

©ceramicaflaminiaspa - All rights reserved. Unauthorized copying, publication, reproduction as well as partial reproduction are prohibited

may 2019

