

design **FLAMINIA DESIGN TEAM**

2010

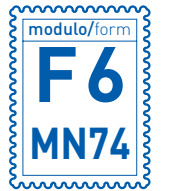
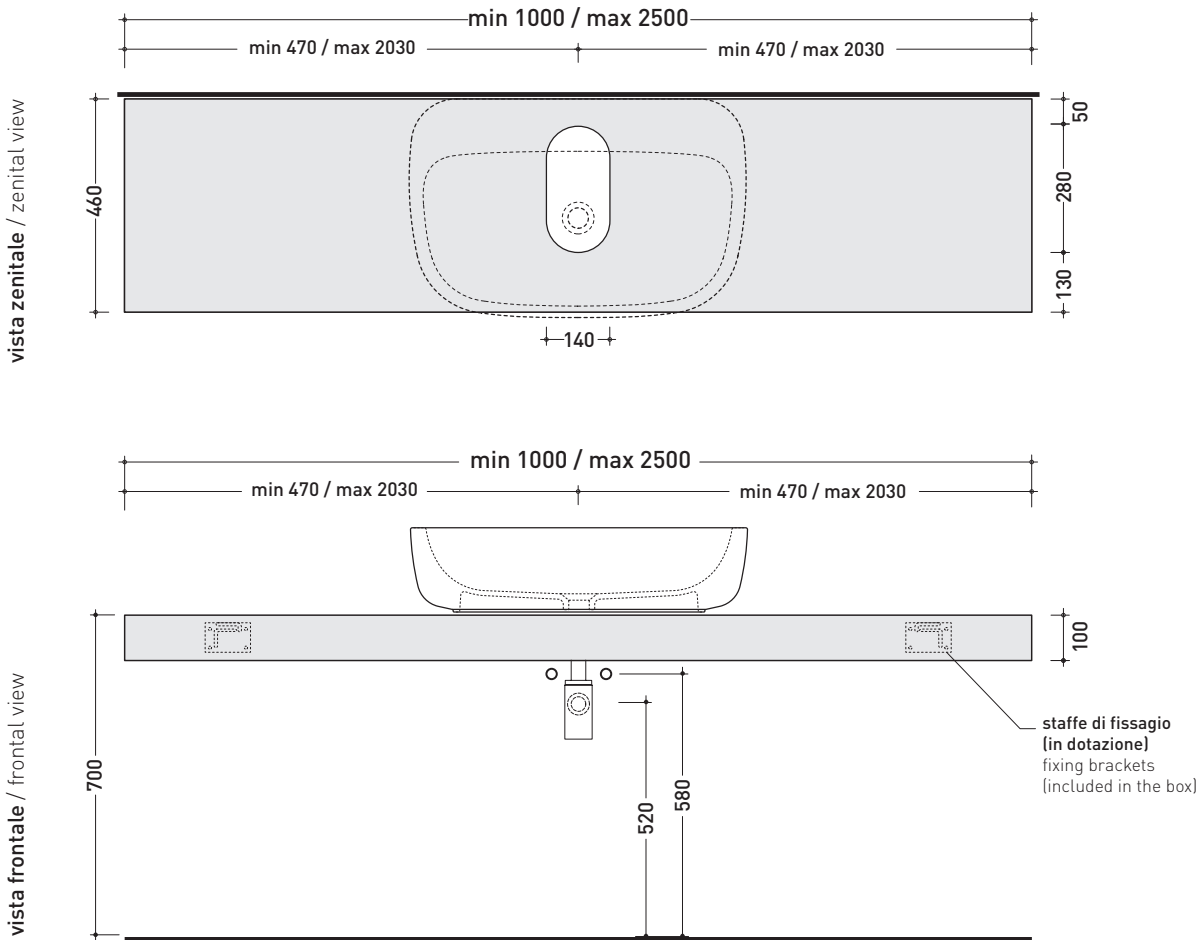
## F6MN74 suitable for Mono' 74 (MN74L)

Shelf from 100 to 250 x 46 h10 cm suitable for Mono' 74 basin  
(fixing brackets included)

Complements: **Make-Up mirrors and lamps**  
**Compono System furnishings and mirrors**  
**Simple mirrors**  
**Hot/Cold mirror (SPHC)**  
**Left/Right mirror (SPLR)**  
**Line mirrors (BASC20 - BASC30)**



Tap holes are not made on this article by Flaminia

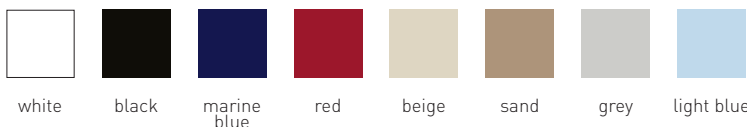


REFERENCE TO  
THE COMPULSORY  
ORDER FORM

size in mm

may 2015

PIETRALUCE: glossy finish



PIETRALUCE: matt finish



MATRIX: finishes





MODULO PER LA REALIZZAZIONE DELLE MENSOLE **FORTY6** A MISURA PER ART. **MN74L**  
**FORTY6** CUSTOMIZED SHELVES FOR ART. **MN74L** FORM



**E' obbligatorio fotocopiare questa pagina, compilarla con cura e allegarla all'ordine.**  
 It is compulsory to photocopy this page, carefully fill in and attach to the order.

➔➔ **1** DETTAGLI ORDINE / ORDER DETAILS

cliente - client \_\_\_\_\_

ordine - order n: \_\_\_\_\_ data - date: \_\_\_\_\_ ref.: \_\_\_\_\_

annotazioni - notes \_\_\_\_\_

➔➔ **2** SCELTA ARTICOLO / ITEM CHOICE

E' importante consultare prima la scheda tecnica relativa  
 It's important to consult before the technical detail

art. **F6MN74**  
 mensola / shelf da / from 100 a / to 250 cm

➔➔ **3** SCELTA MATERIALE / MATERIAL SELECTION

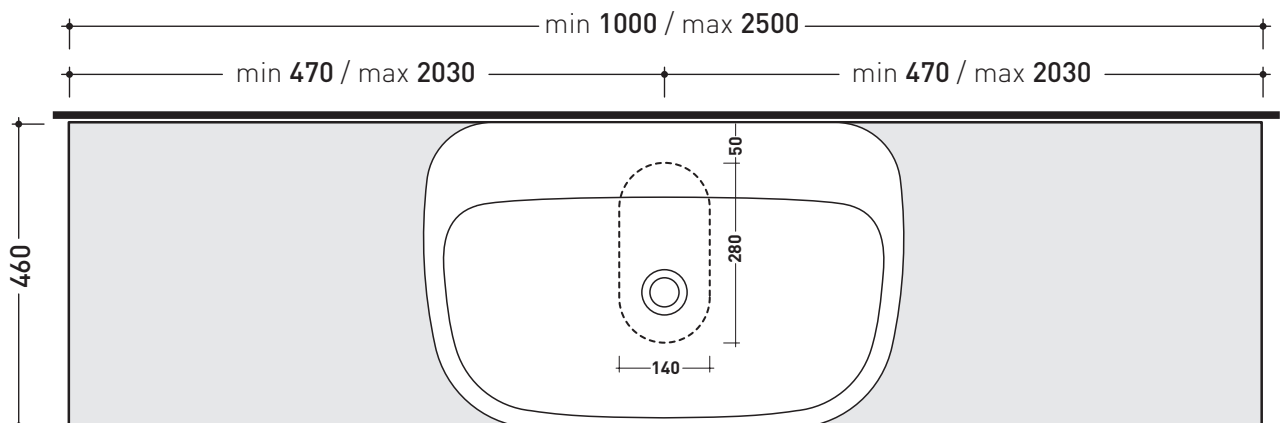
**PIETRALUCE**

- |  |   |
|--|---|
| <input type="checkbox"/> bianco - white            | <input type="checkbox"/> nero - black         |
| <input type="checkbox"/> grigio - grey             | <input type="checkbox"/> sabbia - sand        |
| <input type="checkbox"/> beige - beige             | <input type="checkbox"/> rosso cuoio - red    |
| <input type="checkbox"/> rosa - pink               | <input type="checkbox"/> azzurro - light blue |
| <input type="checkbox"/> blu ultram. - marine blue | <input type="checkbox"/> latte - milky white  |
| <input type="checkbox"/> grafite - graphite        | <input type="checkbox"/> gr. lava - lava grey |

**FINITURE MATRIX / MATRIX FINISHES**

- |  |   |
|--|---|
| <input type="checkbox"/> T. wengè - T. wengè | <input type="checkbox"/> T. caffè - T. coffee |
| <input type="checkbox"/> T. sabbia - T. sand |   |

➔➔ **4** SCELTA MISURE / MEASURES



lavabo / basin  
**MN74L**

A =  mm      B =  mm

C =  mm

• **A** = misura interasse lavabo da sinistra / left distance of basin.      • **C** = misura totale della mensola / total length of the shelf.  
 • **B** = misura interasse lavabo da destra / right distance of basin.      • verificare sempre che / verify that: **A + B = C**.



MODULO PER LA REALIZZAZIONE DELLE MENSOLE **FORTY6** A MISURA PER DOPPIO ART. **MN74L**

**FORTY6** CUSTOMIZED SHELVES FOR DOUBLE ART. **MN74L** FORM



**E' obbligatorio fotocopiare questa pagina, compilarla con cura e allegarla all'ordine.**  
It is compulsory to photocopy this page, carefully fill in and attach to the order.

➔➔ **1**

**DETTAGLI ORDINE / ORDER DETAILS**

cliente - client \_\_\_\_\_

ordine - order n: \_\_\_\_\_ data - date: \_\_\_\_\_ ref.: \_\_\_\_\_

annotazioni - notes \_\_\_\_\_

➔➔ **2**

**SCELTA ARTICOLO / ITEM CHOICE**

E' importante consultare prima la scheda tecnica relativa  
It's important to consult before the technical detail

art. **F6MN74**  
mensola / shelf da / from 198 a / to 250 cm

➔➔ **3**

**SCELTA MATERIALE / MATERIAL SELECTION**

**PIETRALUCE**

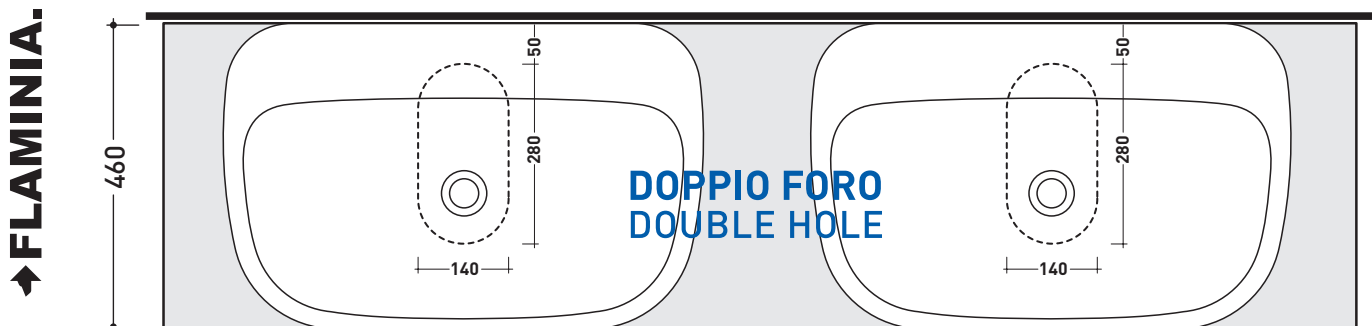
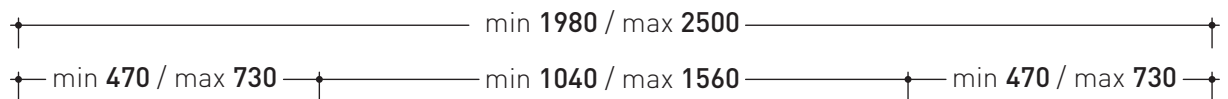
- |  |   |
|--|---|
| <input type="checkbox"/> bianco - white            | <input type="checkbox"/> nero - black         |
| <input type="checkbox"/> grigio - grey             | <input type="checkbox"/> sabbia - sand        |
| <input type="checkbox"/> beige - beige             | <input type="checkbox"/> rosso cuoio - red    |
| <input type="checkbox"/> rosa - pink               | <input type="checkbox"/> azzurro - light blue |
| <input type="checkbox"/> blu ultram. - marine blue | <input type="checkbox"/> latte - milky white  |
| <input type="checkbox"/> grafite - graphite        | <input type="checkbox"/> gr. lava - lava grey |

**FINITURE MATRIX / MATRIX FINISHES**

- |  |   |
|--|---|
| <input type="checkbox"/> T. wengè - T. wengè | <input type="checkbox"/> T. caffè - T. coffee |
| <input type="checkbox"/> T. sabbia - T. sand |   |

➔➔ **4**

**SCELTA MISURE / MEASURES**



lavabo / basin  
**MN74L**

lavabo / basin  
**MN74L**



- **A** = misura interasse lavabo da sinistra / left distance of basin.
- **B** = misura interasse lavabi / distance between basins.
- **C** = misura interasse lavabo da destra / right distance of basin.

- **D** = misura totale della mensola / total length of the shelf.
- verificare sempre che / verify that: **A + B + C = D.**