

IO4290 IO90

Recessed basin cm 90

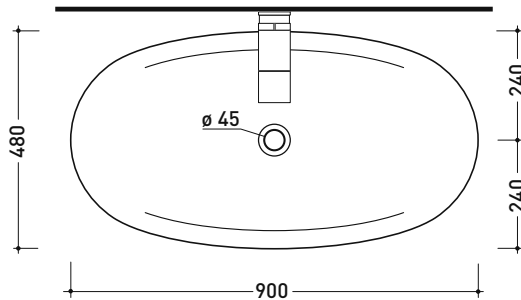
• without overflow • without tap ledge

Complements: **IO shelves** (IO90M1 - IO90M2 - IO90M3)
IO Pietraluce shelf (IO90M4)
Line taps basin: ONE - NOKÉ - SI - FOLD - X1 - STIL
Line accessories: TWO - HOOP - FOLD

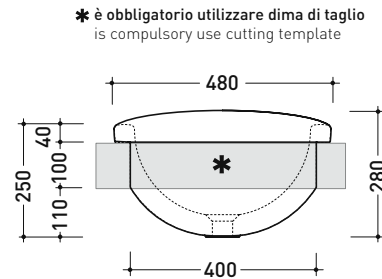
Technical accessories: **Chrome space saving basin siphon** (SIFL03)
Stop & Go drain (PLSG)
CERAMIC Stop & Go drain (PLCE)
Chrome waste with automatic integrated overflow (PLTPCR)
Waste with automatic integrated overflow and ceramic cover (PLTPCR)
Two piece set chrome tap filters (RF026)

Package dim. 89,5 x 27,5 x 49 cm | Weight 27,5 kg | Pz. Pallet n° 12

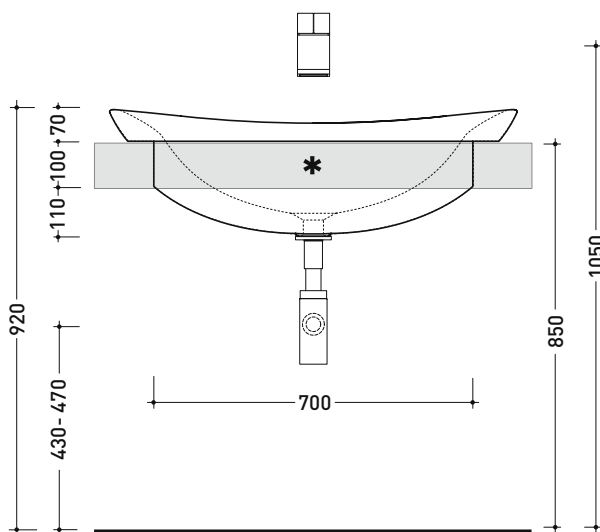
CE UNI EN 14688 - CL00 Dop-No14688



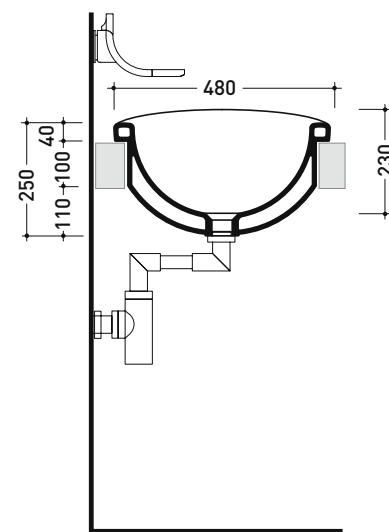
vista zenitale / zenital view



vista laterale / lateral view



vista frontale / frontal view



sezione longitudinale / section

* è obbligatorio utilizzare dima di taglio
 is compulsory use cutting template