

KY29

Urinal to wall (wall fixing kit art. 9007 and siphon art. KYCON included)

HOLES FOR COVER UPON REQUEST

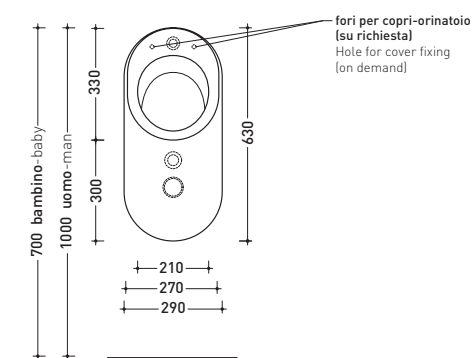
Complements: **Poliester cover suitable for urinal** (KY29CW01)
One concealed automatic rapid-flow lever (112540)
Line accessories: TWO - HOOP - NOKÉ - FOLD

Technical accessories: **SANITARBLOCK pre-assembled frame for wall-hung urinal** (136179)
Concealed pre-installation for EQUA URINAL plate (879123)
EQUA URINAL AC infrared sensor fluxometer (879120)

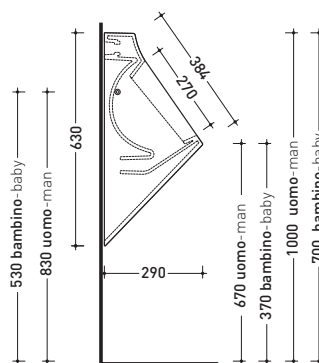
Package dim. **64 x 30 x 30 cm** | Weight **15,5 kg** | Pz. Pallet n° **24**



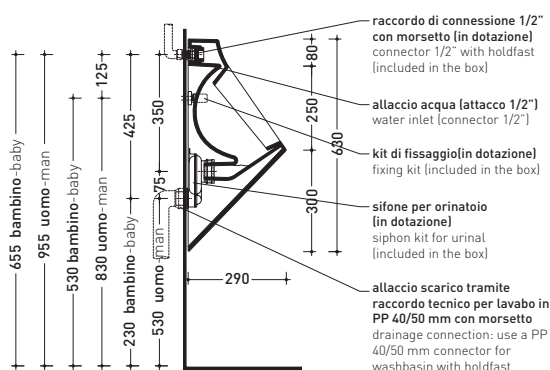
CE UNI EN 13407 Dop-No13407



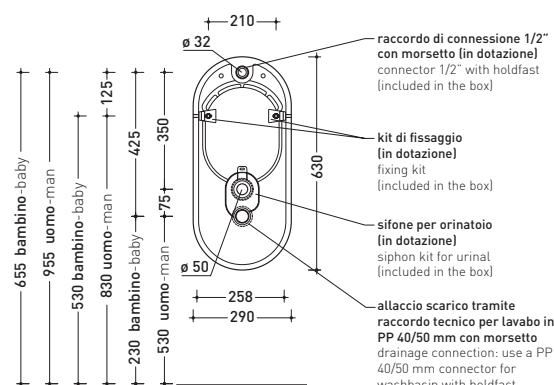
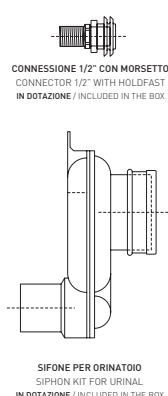
vista frontale / frontal view



vista laterale / lateral view



sezione longitudinale / section



vista retro/ back view

sizes in mm

Please consider a 2% tolerance on indicated measurements

CERAMIC: glossy finish



matt finish



*While stocks last