

MW60PR Miniwash 60

Countertop basin cm 60 with tap ledge

•WITH OVERFLOW •ARRANGED FOR FIVE TAP HOLES

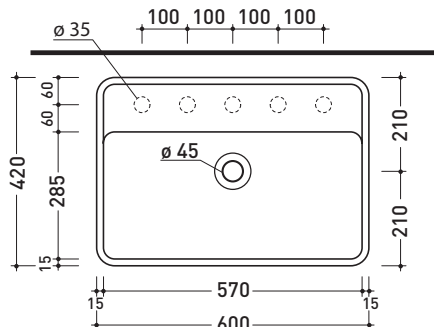
Complements: **Line taps basin:** ONE - NOKE' - SI - FOLD
Line accessories: TWO - HOOP - NOKE' - FOLD

Technical accessories: **Chrome siphon (SIFL/CR) - Telescopic chrome siphon (SIFL066)**
Stop & Go drain (PLSG)
CERAMIC Stop & Go drain (PLCE)
Two piece set chrome tap filters (RF026)

Package dim. | Weight **21 kg** | Pz. Pallet n° **12**

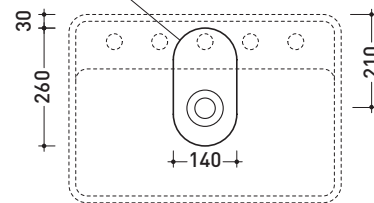


CE UNI EN 14688 - CL20 Dop-No14688

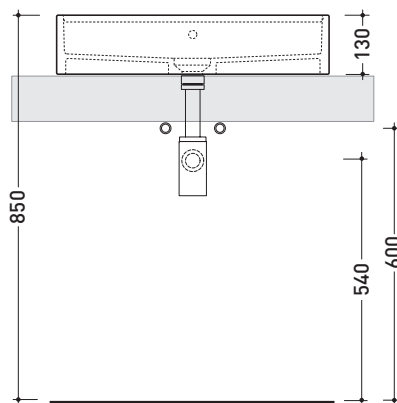


vista zenitale / zenital view

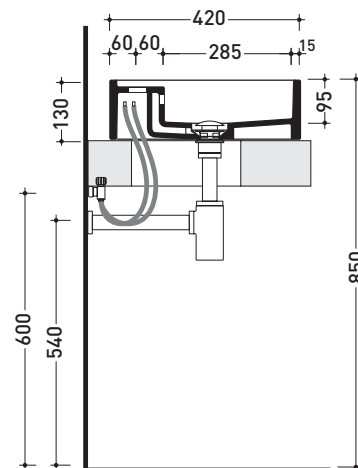
foro consigliato sul piano
suggested hole on the top



vista zenitale / zenital view



vista frontale / frontal view

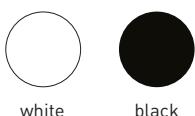


sezione longitudinale / section

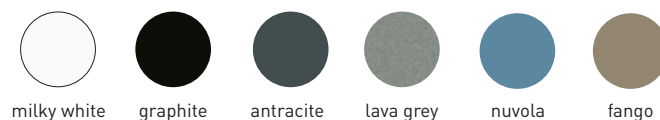
sizes in mm

Please consider a 2% tolerance on indicated measurements

CERAMIC: glossy finish



matt finish



iridescent finish

