

MW60S Miniwash 60

Wall hung basin cm 60 with tap ledge

•WITH OVERFLOW •ARRANGED FOR FIVE TAP HOLES

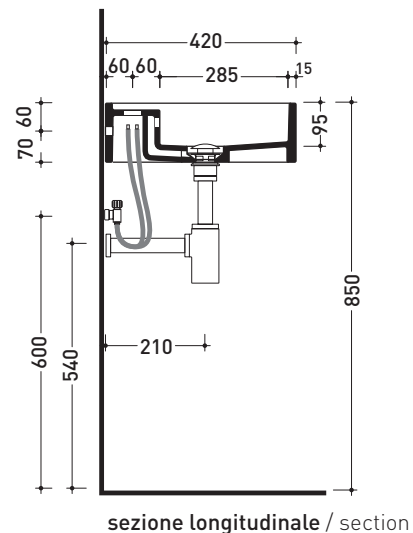
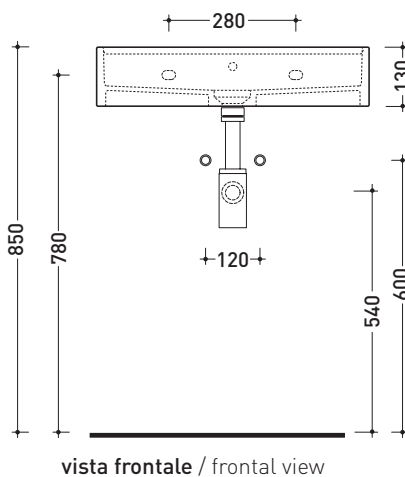
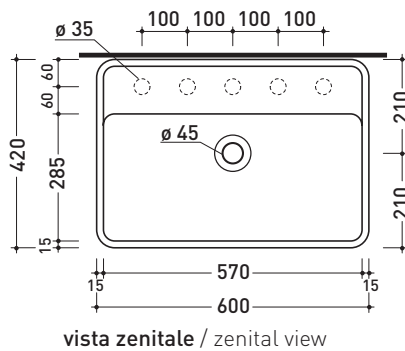
Complements: **Chromed towel holder (PMW60)**
Line taps basin: ONE - NOKE' - SI - FOLD
Line accessories: TWO - HOOP - NOKE' - FOLD

Technical accessories: **Chrome siphon (SIFL/CR) - Telescopic chrome siphon (SIFL066)**
Stop & Go drain (PLSG)
CERAMIC Stop & Go drain (PLCE)
Two piece set chrome tap filters (RF026)
Fixing kit for wall (9002)

Package dim. | Weight **21 kg** | Pz. Pallet n° **12**



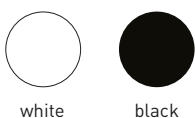
CE UNI EN 14688 - CL20 Dop-No14688



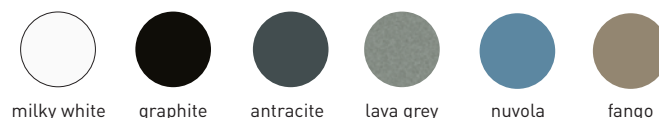
sizes in mm

Please consider a 2% tolerance on indicated measurements

CERAMIC: glossy finish



matt finish



iridescent finish

