

## NK3230

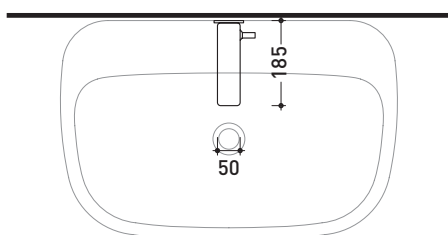
Wall-mounted single lever basin mixer (drain included)

Complements: Line accessories NOKE'

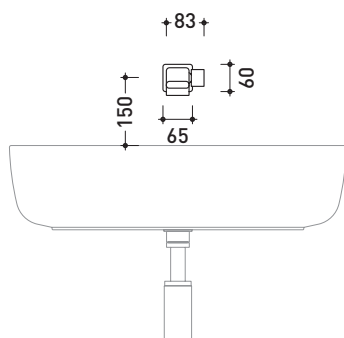
Package dim. 39 x 17 x 8 cm

Weight 3,1 kg

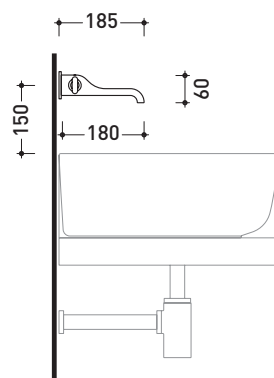
Pz. Pallet n° -



vista zenitale / zenital view



vista frontale / frontal view



vista laterale / lateral view

size in mm

january 2014

BRASS: glossy finish

Chrome

