

design PATRICK NORGUET

2013

NL40A Nile 40

Countertop basin cm 40

• WITHOUT OVERFLOW • WITHOUT TAP LEDGE

Complements: FORTY6 shelf (F6NL)
 FILO 60 / 75 metal structure (FI60SV - FI75SV - FI75SC)
 BOX wall hung vanity units depth 50 cm
 CUBIKA wall hung vanity units depth 50 cm
 DENVER furniture (DV103M)
 Line taps basin: ONE - NOKÉ - FOLD - SI - X1
 Line accessories: TWO - HOOP - NOKÉ - FOLD

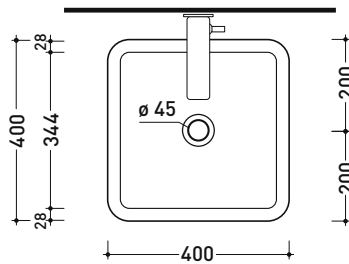
Technical accessories: Chrome siphon (SIFL/CR) - Telescopic chrome siphon (SIFL066)
 Stop & Go drain (PLSG)
 CERAMIC Stop & Go drain (PLCE)
 Chrome waste with automatic integrated overflow (PLTPCR)
 Waste with automatic integrated overflow and ceramic cover (PLTPCE)
 Two piece set chrome tap filters (RF026)

Package dim.

Weight kg 9

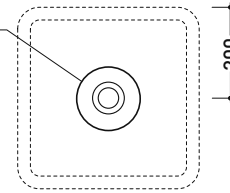
Pz. Pallet n° 48

CE UNI EN 14688 - CL00 Dop-No14688

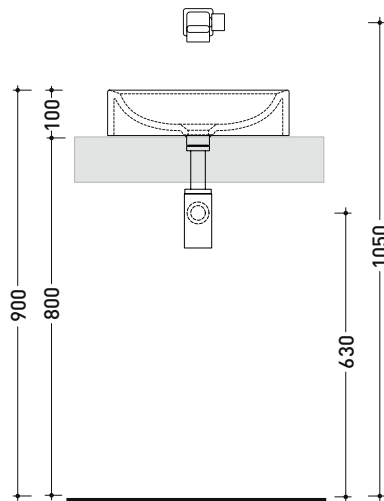


vista zenitale / zenital view

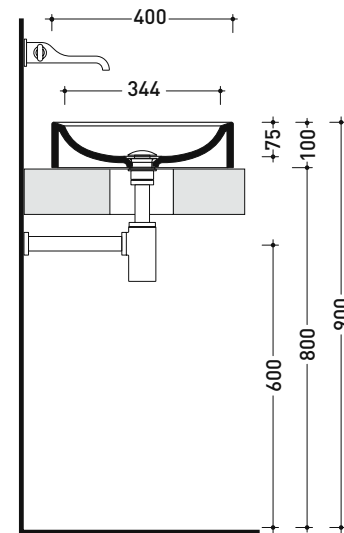
foro consigliato
 sul piano Ø140
 suggested hole
 on the top Ø140



vista zenitale / zenital view



vista frontale / frontal view



sezione longitudinale / section

sizes in mm

Please consider a 2% tolerance on indicated measurements

CERAMIC: glossy finish



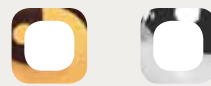
white black

matt finish



milky white carbone

METAL: glossy finish



white / gold white / platinum