

design **PATRICK NORGUET**

2013

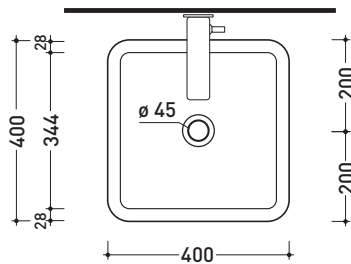
NL40A Nile 40

Countertop basin cm 40

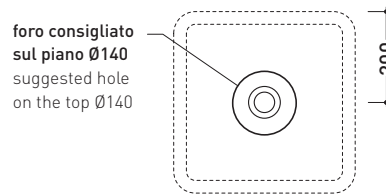
Complements: **Forty6 shelf (F6NL)**
Solid shelf (SLNL)
Make-Up bench (MKP150 - MKP180)
Compono System bench (CSM90 - CSM135R/L - CSP135R/L - CSP180D)
Line taps basin: ONE - NOKE' - FOLD - SI
Line accessories: TWO - HOOP - NOKE' - FOLD

Technical accessories: **Chrome siphon (SIFL/CR) - Telescopic chrome siphon (SIFL066)**
Stop & Go drain (PLSG)
CERAMIC Stop & Go drain (PLCE)
Two piece set chrome tap filters (RF026)

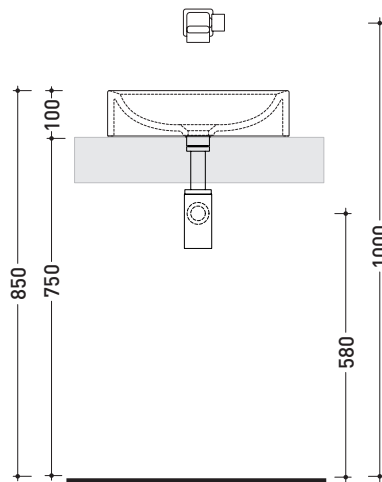
Package dim. | Weight **kg 9** | Pz. Pallet n° **48**



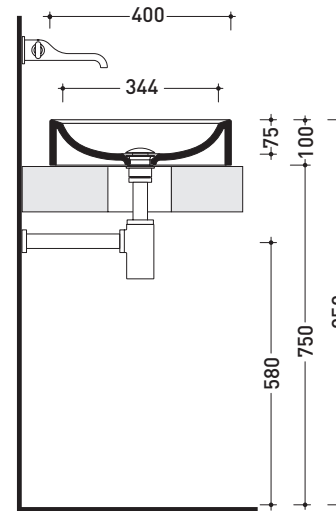
vista zenitale / zenital view



vista zenitale / zenital view



vista frontale / frontal view

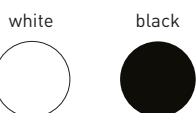


sezione longitudinale / section

size in mm

june 2016

CERAMIC: glossy finish



matt finish

