

design **PATRICK NORGUET**

**2013**

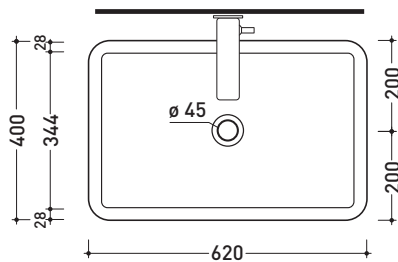
## NL62A Nile 62

Countertop basin cm 62

Complements: **Forty6 shelf (F6NL)**  
**Solid shelf (SLNL)**  
**Make-Up bench (MKP150 - MKP180)**  
**Compono System bench (CSM90 - CSM135R/L - CSP135R/L - CSP180D)**  
**Line taps basin: ONE - NOKE' - FOLD - SI**  
**Line accessories: TWO - HOOP - NOKE' - FOLD**

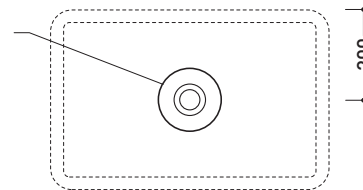
Technical accessories: **Chrome siphon (SIFL/CR) - Telescopic chrome siphon (SIFL066)**  
**Stop & Go drain (PLSG)**  
**CERAMIC Stop & Go drain (PLCE)**  
**Two piece set chrome tap filters (RF026)**

Package dim. | Weight **kg 13** | Pz. Pallet n° **24**

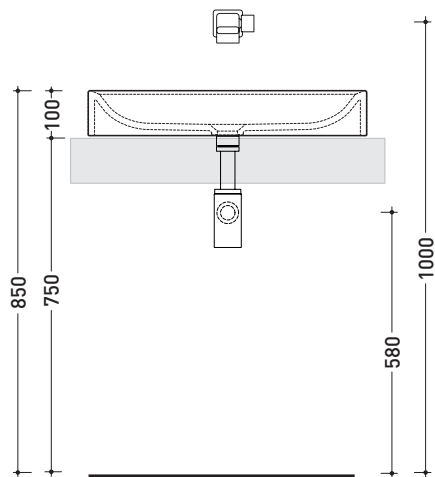


vista zenitale / zenital view

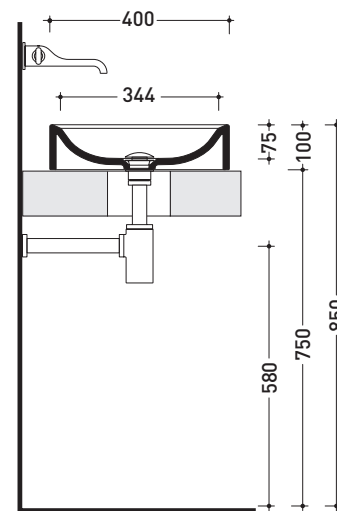
foro consigliato  
sul piano Ø140  
suggested hole  
on the top Ø140



vista zenitale / zenital view



vista frontale / frontal view



sezione longitudinale / section

size in mm

june 2016

CERAMIC: glossy finish

white

black



matt finish

milky white

graphite

lava grey

nuvola

fango

