

design **PATRICK NORGUET**

2013

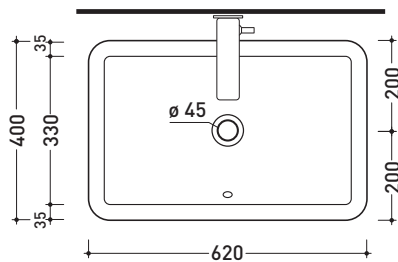
NL62H20 Nile 62

Countertop basin 62 h 20 cm

Complements: **Forty6 shelf (F6NL)**
Solid shelf (SLNL)
Make-Up bench (MKP150 - MKP180)
Compono System bench (CSM90 - CSM135R/L - CSP135R/L - CSP180D)
Line taps basin: ONE - NOKE' - FOLD - SI
Line accessories: TWO - HOOP - NOKE' - FOLD

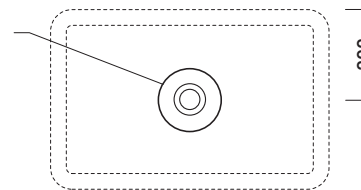
Technical accessories: **Chrome siphon (SIFL/CR) - Telescopic chrome siphon (SIFL066)**
Stop & Go drain (PLSG)
CERAMIC Stop & Go drain (PLCE)
Two piece set chrome tap filters (RF026)

Package dim. | Weight **kg 21** | Pz. Pallet n° **12**

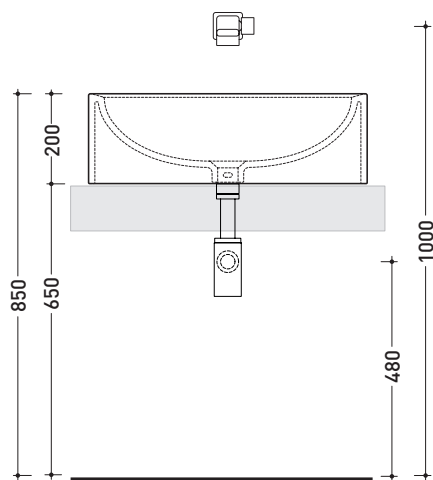


vista zenitale / zenital view

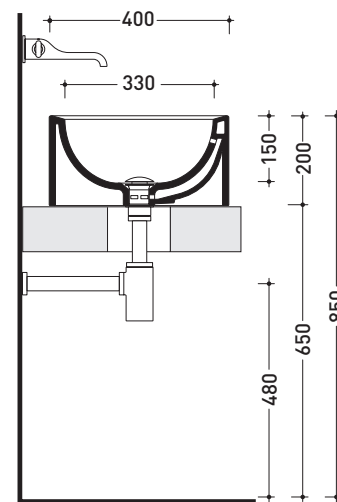
foro consigliato
sul piano Ø140
suggested hole
on the top Ø140



vista zenitale / zenital view



vista frontale / frontal view

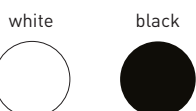


sezione longitudinale / section

size in mm

june 2016

CERAMIC: glossy finish



matt finish

