

design **FLAMINIA DESIGN TEAM**

2011

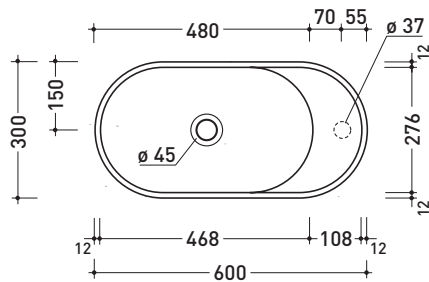
PS60AT Pass 60

Oval countertop basin 60 cm with lateral tap ledge

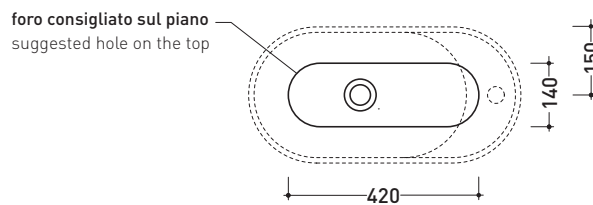
Complements: **Forty6 shelf (F6PS60)**
Line taps basin: ONE - NOKE' - SI - FOLD
Line accessories: TWO - HOOP - NOKE' - FOLD

Technical accessories: **Chrome siphon (SIFL/CR) - Telescopic chrome siphon (SIFL066)**
Stop & Go drain (PLSG)
CERAMIC Stop & Go drain (PLCE)
Two piece set chrome tap filters (RF026)

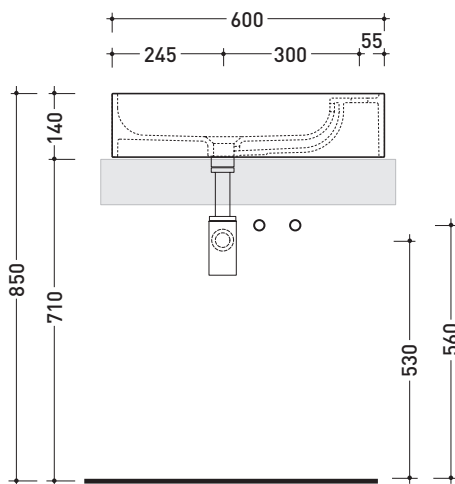
Package dim. | Weight **11,5 kg** | Pz. Pallet n° **30**



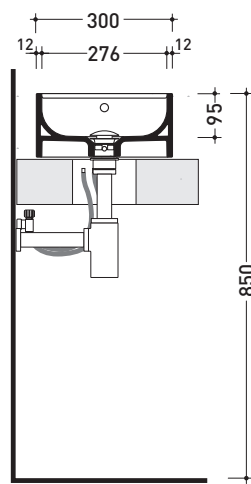
vista zenitale / zenital view



vista zenitale / zenital view



vista frontale / frontal view



sezione longitudinale / section

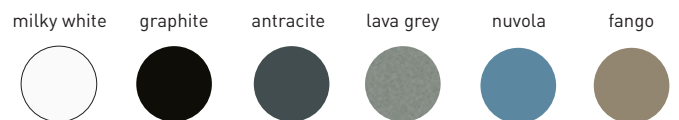
size in mm

june 2016

CERAMIC: glossy finish



matt finish



COLORS IN ELIMINATION