

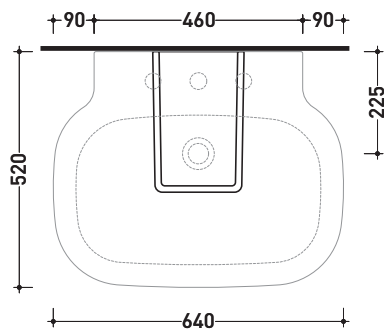
SR50CS

Wall mounted ceramic pedestal suitable for 64/74 cm basins

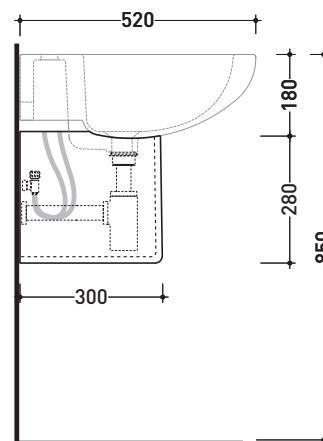
Complements: **Sprint basins** (SR64L - SR74L)
Line taps basin: ONE - NOKE' - FOLD
Line accessories: TWO - HOOP - NOKE' - FOLD

Technical accessories: **Chrome siphon** (SIFL/CR) - **Telescopic chrome siphon** (SIFL066)
Stop & Go drain (PLSG)
CERAMIC Stop & Go drain (PLCE)
Two piece set chrome tap filters (RF026)
Fixing kit for wall (9002)

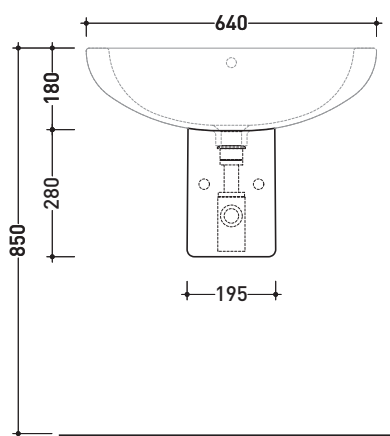
Package dim. **33,5 x 29 x 32 cm** | Weight **16,2 kg** | Pz. Pallet n° **20**



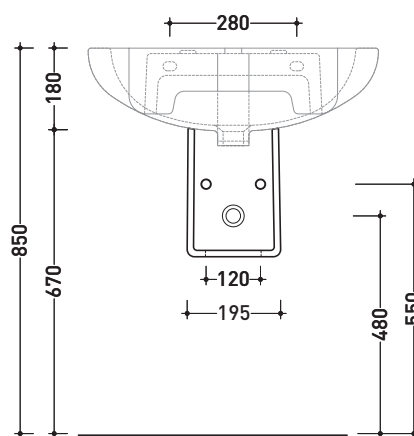
vista zenitale / zenital view



vista laterale / lateral view



vista frontale / frontal view

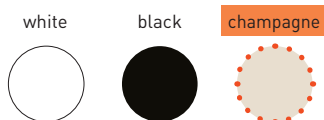


vista retro / back view

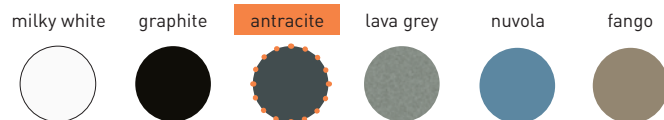
size in mm

july 2016

CERAMIC: glossy finish



matt finish



COLORS IN ELIMINATION