

design ROMANO ADOLINI

2006

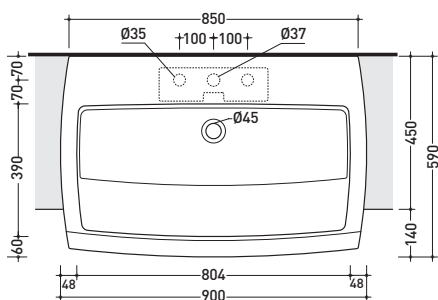
UNA90L Una 90

Semi-inset basin 90 cm

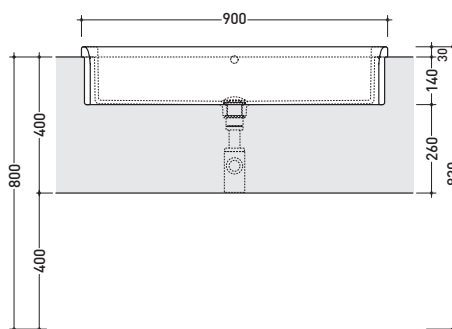
Complements: **Una furnishing** (UNA90C1 - UNA90C2 - UNA90V1 - UNA90V2 - UNA90M1 - UNA90M2)
Line taps basin: ONE - NOKE' - FOLD - SI
Line accessories: TWO - HOOP - NOKE' - FOLD

Technical accessories: **Chrome siphon** (SIFL/CR) - **Telescopic chrome siphon** (SIFL066)
Stop & Go drain (PLSG)
CERAMIC Stop & Go drain (PLCE)
Two piece set chrome tap filters (RF026)

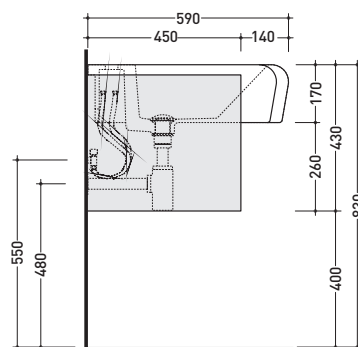
Package dim. **76 x 20,5 x 61 cm** | Weight **30,7 kg** | Pz. Pallet n° **10**



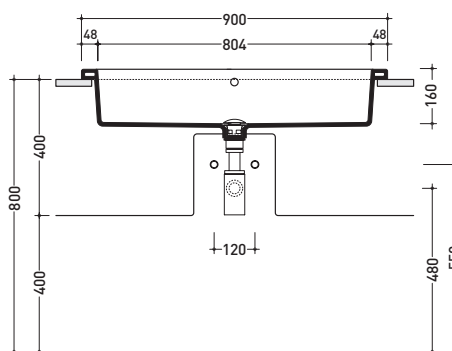
vista zenitale / zenital view



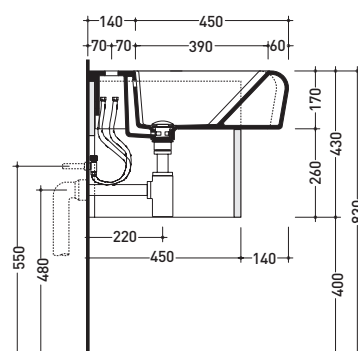
vista frontale / frontal view



vista laterale / lateral view



sezione trasversale / section



sezione longitudinale / section

size in mm

september 2016

CERAMIC: glossy finish

white

black



matt finish

milky white

graphite

lava grey

