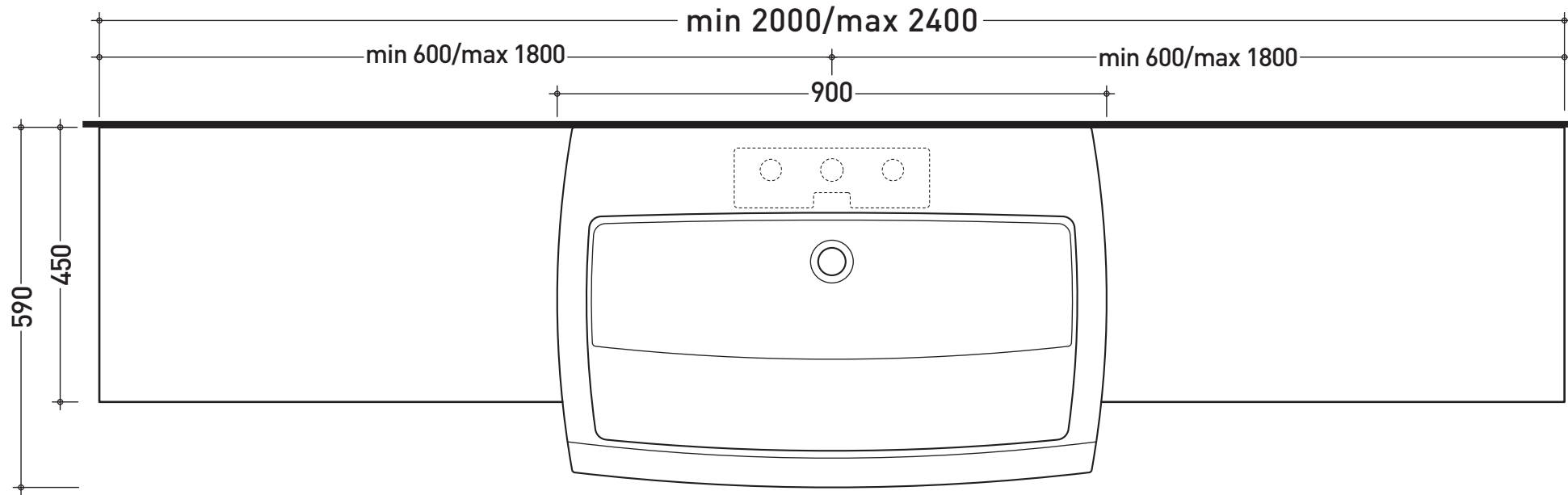
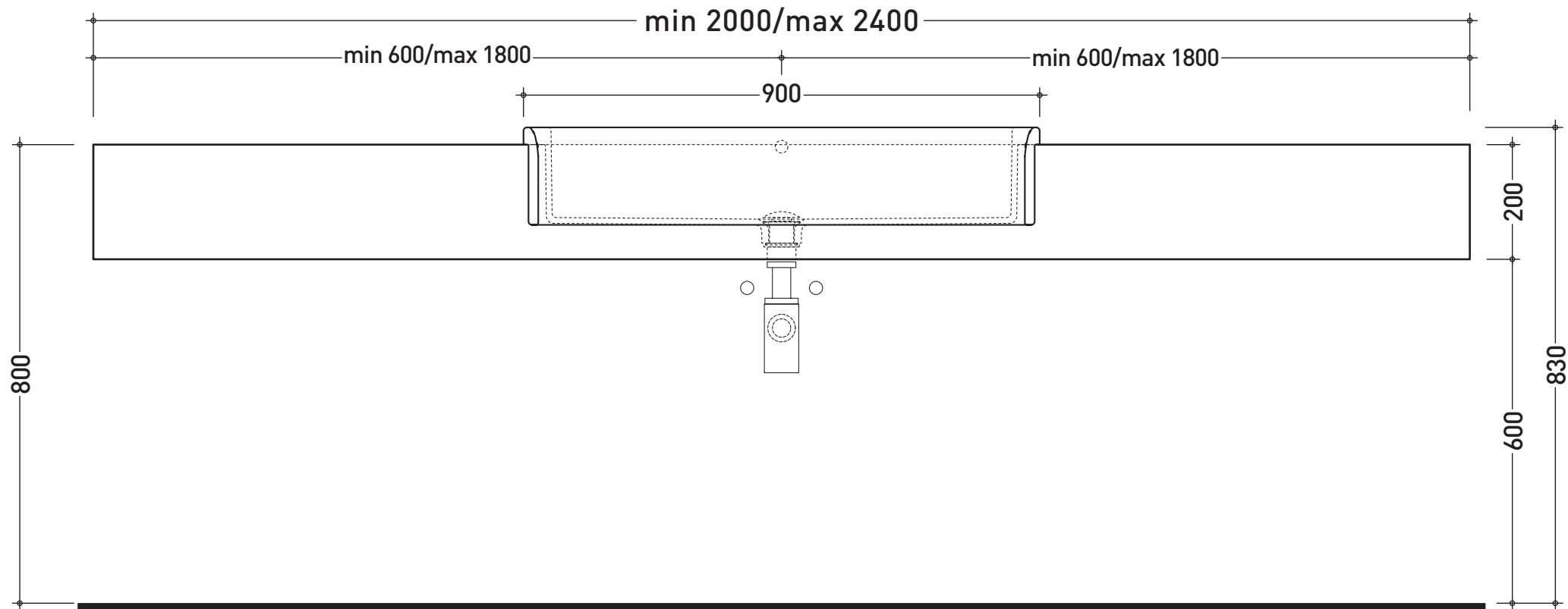


vista zenitale / zenital view



vista frontale / frontal view



modulo/form
**UNA
90M
1-2**