

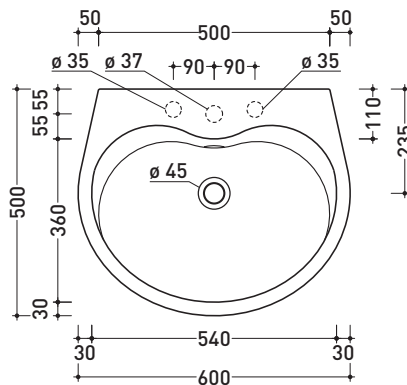
VD60L Void 60

Countertop - wall hung basin cm 60

Complements: **Forty6 shelf** (F6VD60)
Solid shelf (SLVD60)
Make-Up benches (MKP150 - MKP180)
Compono System benches (CSM90 - CSM135R/L - CSP135R/L - CSP180D)
Line taps basin: ONE - NOKE' - FOLD - SI
Line accessories: TWO - HOOP - NOKE' - FOLD

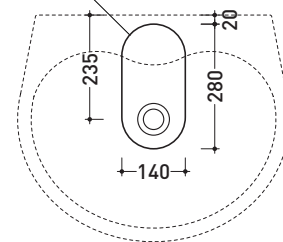
Technical accessories: **Chrome siphon** (SIFL/CR) - **Telescopic chrome siphon** (SIFL066)
Stop & Go drain (PLSG)
CERAMIC Stop & Go drain (PLCE)
Two piece set chrome tap filters (RF026)
Fixing kit for wall (9002)

Package dim. **61 x 19 x 51 cm** | Weight **20 kg** | Pz. Pallet n° **12**

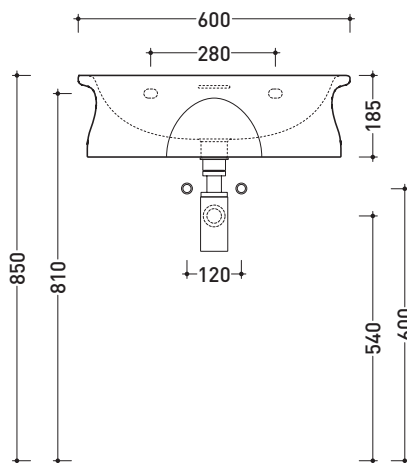


vista zenitale / zenital view

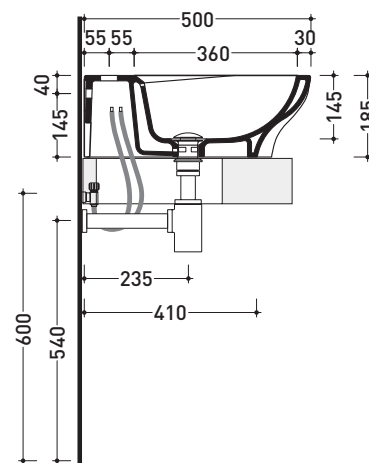
foro consigliato sul piano
suggested hole on the top



vista zenitale / zenital view



vista frontale / frontal view



sezione longitudinale / section

size in mm

october 2016

CERAMIC: glossy finish

white black



matt finish

milky white graphite antracite lava grey nuvola fango

